

MİMARİ KATALOG

ARCHITECTURAL CATALOGUE

Aluminyum Kapı Pencere ve Giydirme Cephe Sistemleri
Aluminium Window Doors and Facade Systems



Rescara Sistem
Profil Detayları

Rescara System
Profile Details



RESCARA SİSTEM

RESCARA SYSTEM

Alüminyum Kapı Pencere ve Giydirmce Cephe Sistemleri
Aluminium Window Doors and Facade Systems

11



12

13

14

15

16

17

18

19

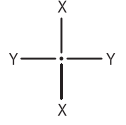
20

Önemli Not:

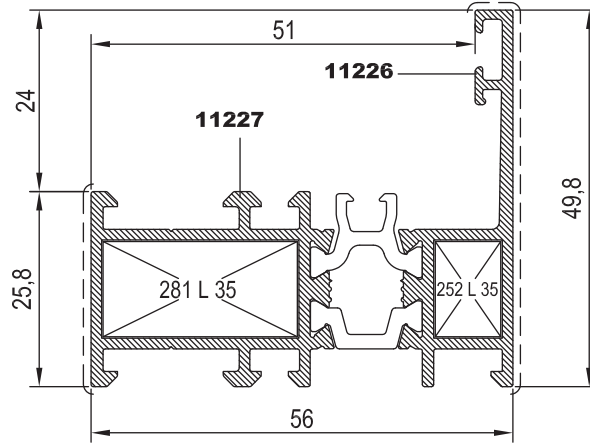
■ Enerji Alfa Serisi ortalama et kalınlıkları 1,6 mm olarak tasarlanmıştır. Kalınlık toleransında ilgili Euro normu esas alınmıştır.



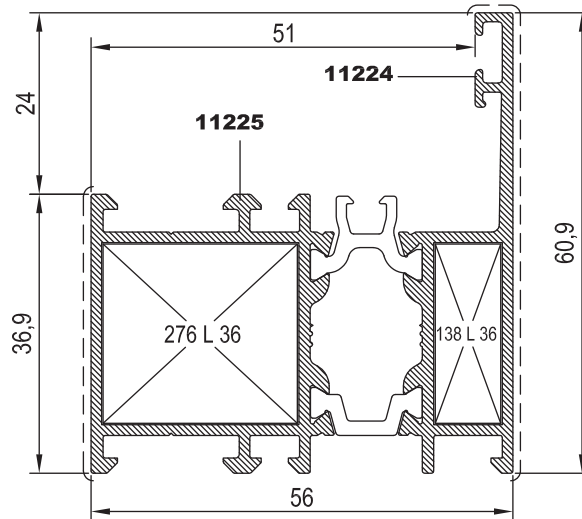
KOD / CODE	AĞIRLIK (kg/m) / WEIGHT	Jxx cm ⁴	Jyy cm ⁴	L m
MT56 F 01	1,193	10,130	5,183	6,00
MT56 F 02	1,309	12,155	10,293	6,00




MT56 F 01



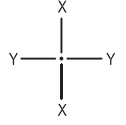
MT56 F 02



Nr	 L m	KESİM ÖLÇÜSÜ CUTTING SIZE	AKS. KODU ACS. CODE
MT56 F 01	11227	25 L 35 (10076)	25,7 mm
	11226	25 L 35 (10076)	8,7 mm
MT56 F 02	11225	25 L 36 (2397)	25,6 mm
	11224	25 L 36 (2397)	8,6 mm



KOD / CODE	AĞIRLIK (kg/m) / WEIGHT	J _{xx} cm ⁴	J _{yy} cm ⁴	L m
MT56 DF 01	1,336	12,833	12,330	6.00
MT56 DF 02	1,326	13,650	12,324	6.00



11

12

13

14

15

16

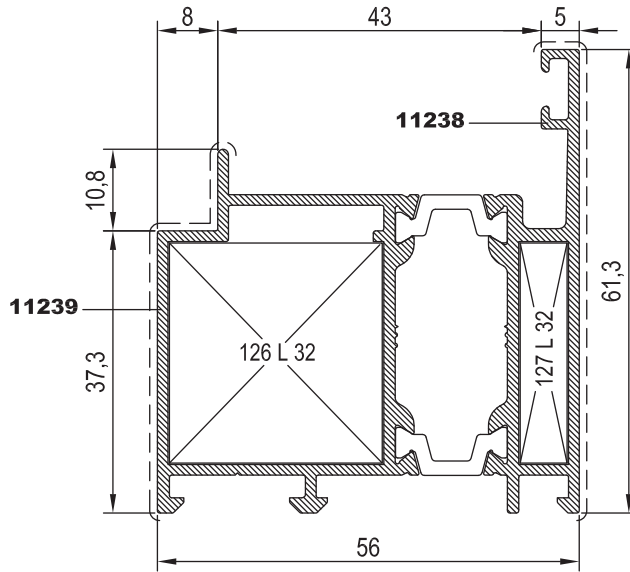
17

18

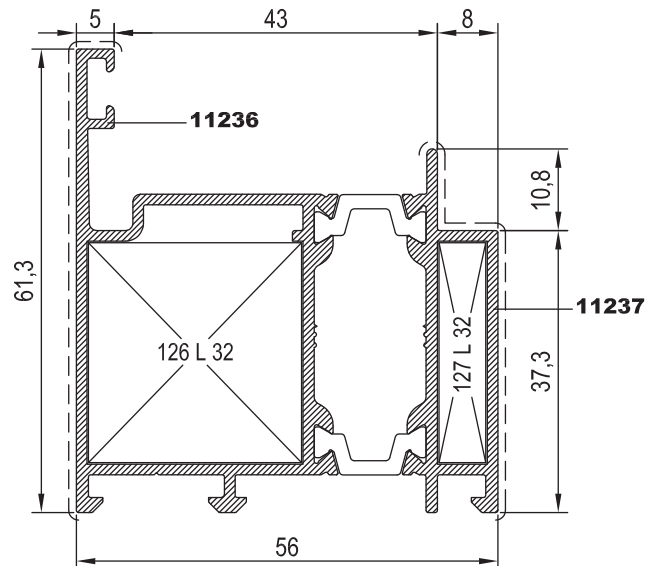
19

20

MT56 DF 01 (İÇE AÇILIM KAPI İÇİN / INSIDE OPENING)



MT56 DF 02 (DIŞA AÇILIM KAPI İÇİN / OUTSIDE OPENING)



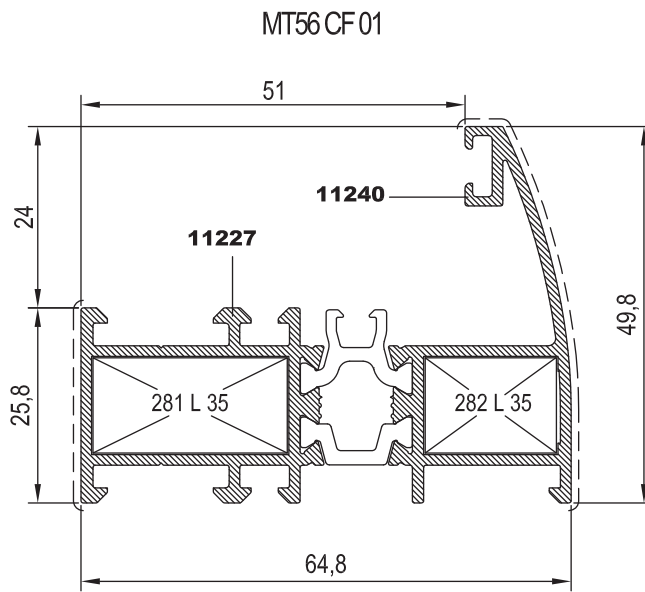
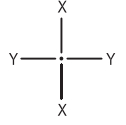
Nr

KESİM ÖLÇÜSÜ
CUTTING SIZEAKS. KODU
ACS. CODE

MT56 DF 01	11239	25 L 32 (2430)	28,1 mm	126 L 32
	11238	25 L 32 (2430)	6,1 mm	127 L 32
MT56 DF 02	11236	25 L 32 (2430)	28,1 mm	126 L 32
	11237	25 L 32 (2430)	6,1 mm	127 L 32



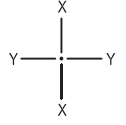
KOD / CODE	AĞIRLIK (kg/m) / WEIGHT	Jxx cm ⁴	Jyy cm ⁴	L m
MT56 CF 01	1,186	13,530	6,228	6.00



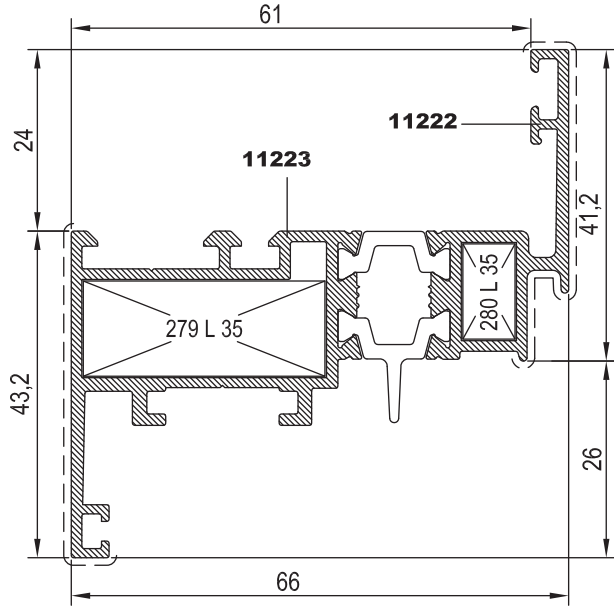
Nr		L m	KESİM ÖLÇÜSÜ CUTTING SIZE	AKS. KODU ACS. CODE
MT56 CF 01	11227	25 L 35 (10076)	25,7 mm	281 L 35
	11240	25 L 35 (10076)	17,4 mm	282 L 35



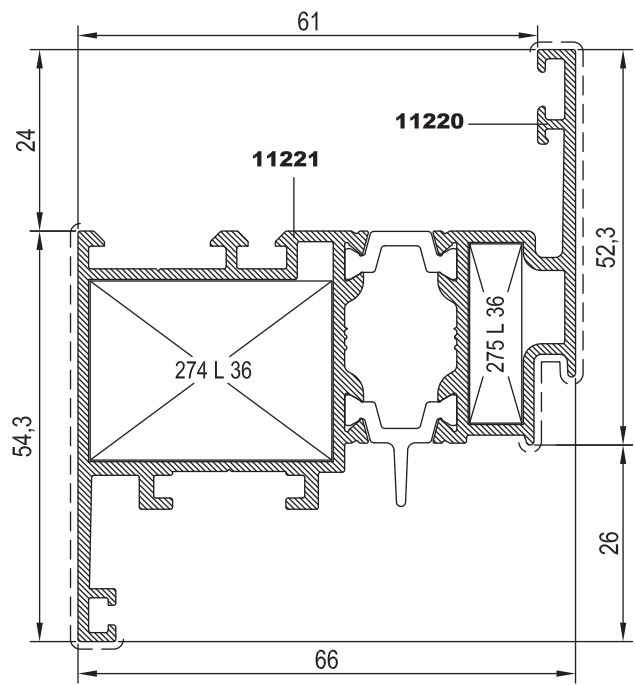
KOD / CODE	AĞIRLIK (kg/m) / WEIGHT	Jxx cm ⁴	Jyy cm ⁴	L m
MT56 V 01	1,273	17,279	7,691	6.00
MT56 V 02	1,486	20,486	14,117	6.00
MT56 V 03	1,695	23,669	25,350	6.00



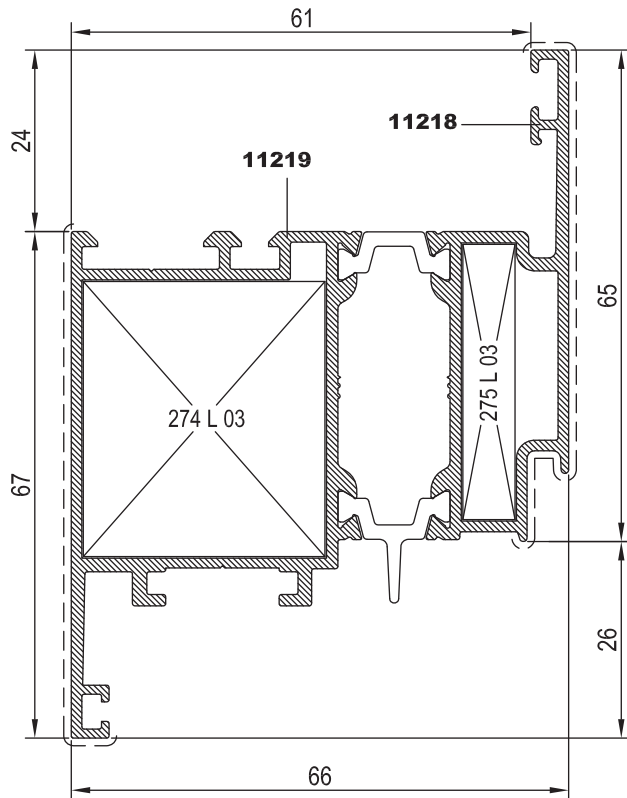
MT56 V 01



MT56 V 02



MT56 V 03



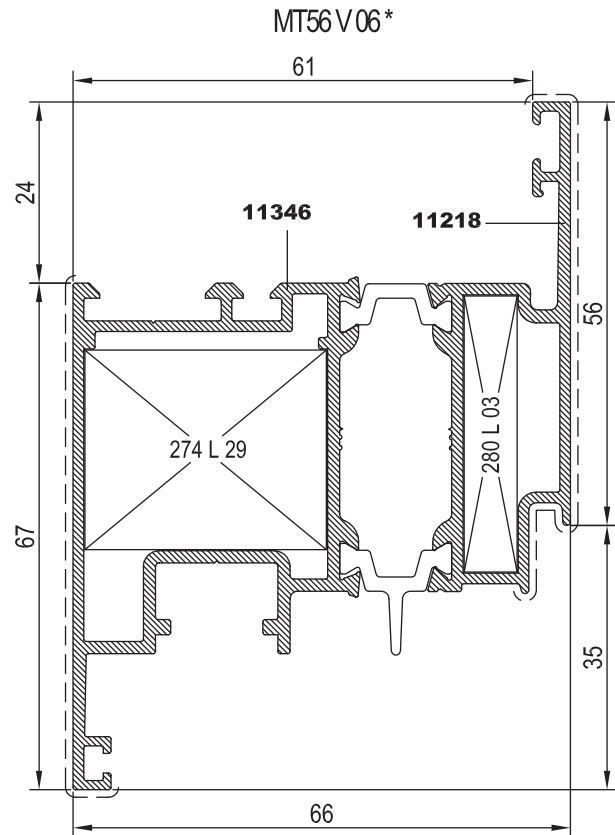
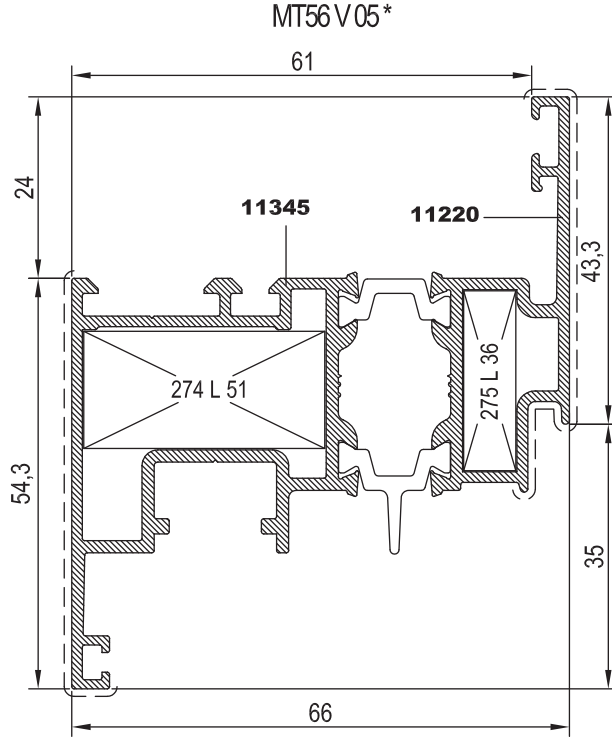
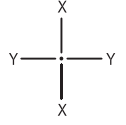
Nr

KESİM ÖLÇÜSÜ
CUTTING SIZEAKS. KODU
ACS. CODE


	Nr	25 L 35 (10076)	25 L 36 (2397)	25 L 03 (2021)
MT56 V 01	11223	32,0 mm	279 L 35	
	11222	6,9 mm	280 L 35	
MT56 V 02	11221	31,9 mm	274 L 36	
	11220	6,8 mm	275 L 36	
MT56 V 03	11219	31,9 mm	274 L 03	
	11218	6,8 mm	275 L 03	



KOD / CODE	AĞIRLIK (kg/m) / WEIGHT	Jxx cm ⁴	Jyy cm ⁴	L m
MT56 V 05	1,530	20,884	13,733	6.00
MT56 V 06	1,746	24,176	25,010	6.00

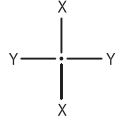


*PVC AKSESUARINA UYUMLU KANATLARDIR (9 AKS)
* FOR PVC ACCESSORIES (9 AXIS)

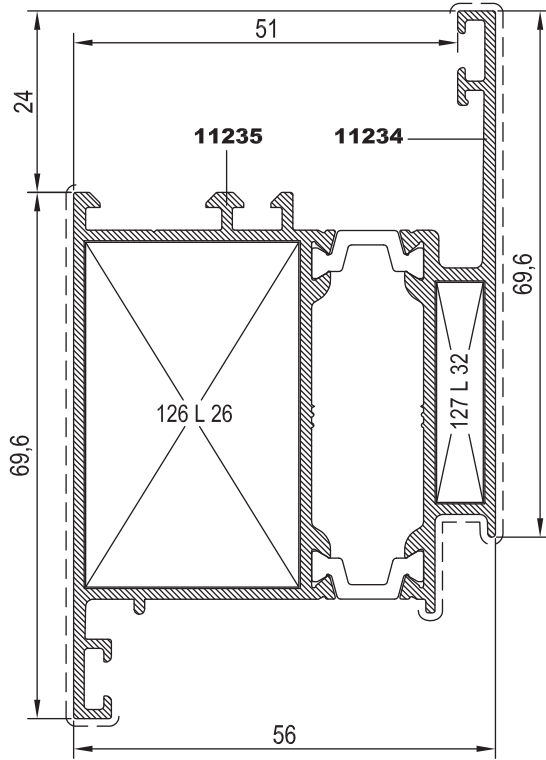
Nr		L m	KESİM ÖLÇÜSÜ CUTTING SIZE	AKS. KODU
MT56 V 05	11345	25 L 51 (10887)	31,9 mm	274 L 51
	11220	25 L 36 (2397)	6,8 mm	275 L 36
MT56 V 06	11346	25 L 29 (10543)	31,9 mm	274 L 29
	11218	25 L 03 (2021)	6,9 mm	280 L 03



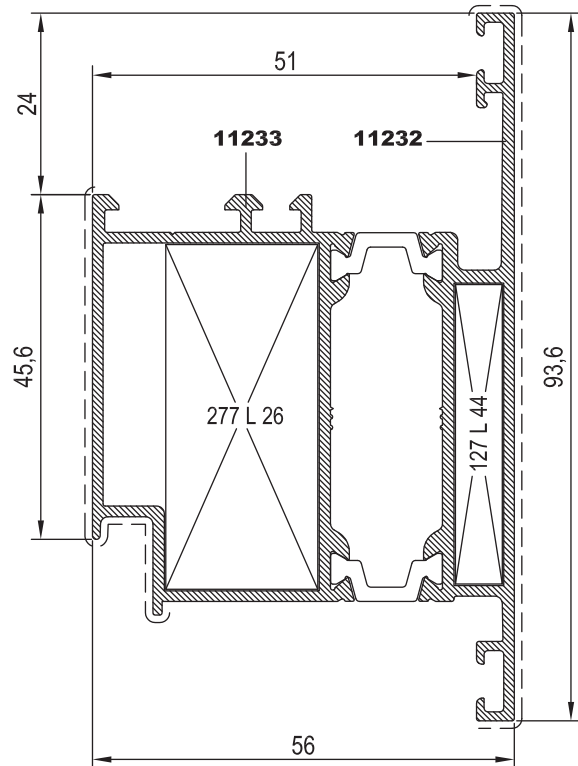
KOD / CODE	AĞIRLIK (kg/m) / WEIGHT	Jxx cm ⁴	Jyy cm ⁴	L m
MT56 DV 01	1,601	17,193	28,186	6.00
MT56 DV 02	1,650	16,017	28,724	6.00



MT56 DV 01



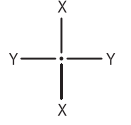
MT56 DV 02



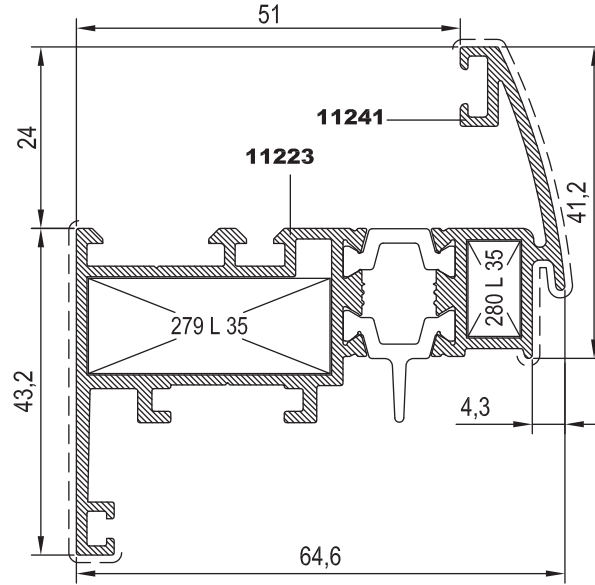
Nr		L m	KESİM ÖLÇÜSÜ CUTTING SIZE	AKS. KODU ACS. CODE
MT56 DV 01	11235	25 L 26 (10540)	28,1 mm	126 L 26
	11234	25 L 32 (2430)	6,1 mm	127 L 32
MT56 DV 02	11233	25 L 26 (10540)	20,0 mm	277 L 26
	11232	25 L 44 (10786)	6,1 mm	127 L 44



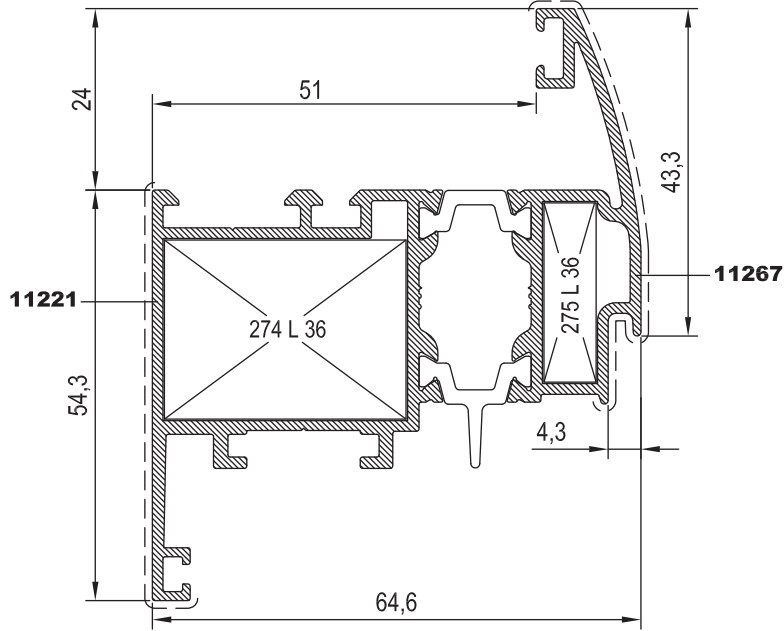
KOD / CODE	AĞIRLIK (kg/m) / WEIGHT	Jxx cm ⁴	Jyy cm ⁴	L m
MT56 CV 01	1,297	16,065	8,668	6.00
MT56 CV 02	1,503	19,051	15,460	6.00





MT56 CV 01



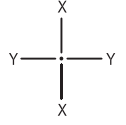
MT56 CV 02



Nr		L m	KESİM ÖLÇÜSÜ CUTTING SIZE		AKS. KODU ACS. CODE
MT56 CV 01	11223	25 L 35 (10076)	32,0 mm	279 L 35	
	11241	25 L 35 (10076)	6,9 mm	280 L 35	
MT56 CV 02	11221	25 L 36 (2397)	31,9 mm	274 L 36	
	11267	25 L 36 (2397)	6,8 mm	275 L 36	



KOD / CODE	AĞIRLIK (kg/m) / WEIGHT	J _{xx} cm ⁴	J _{yy} cm ⁴	L m
MT56 CDV 01	1,970	25,480	39,552	6.00



11

12

13

14

15

16

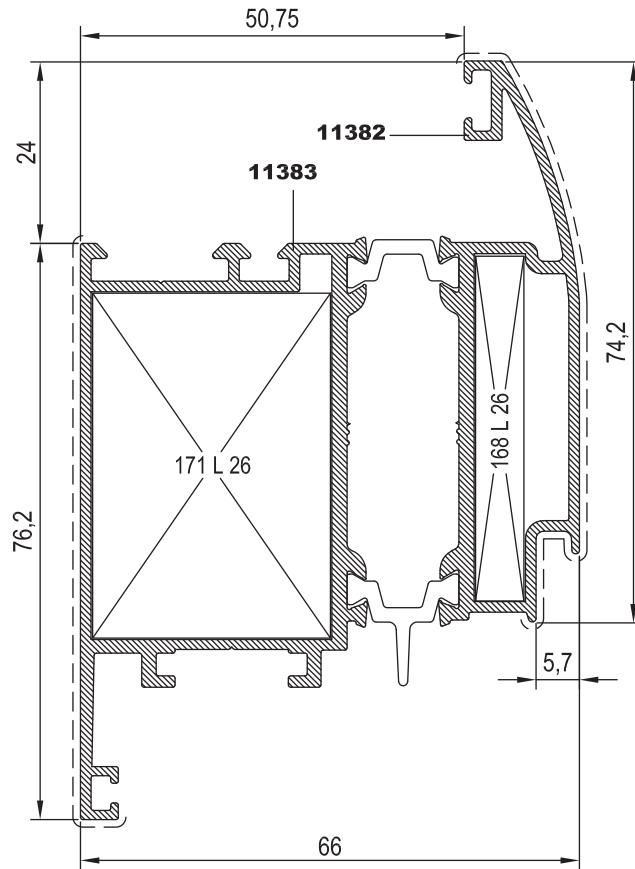
17

18

19

20

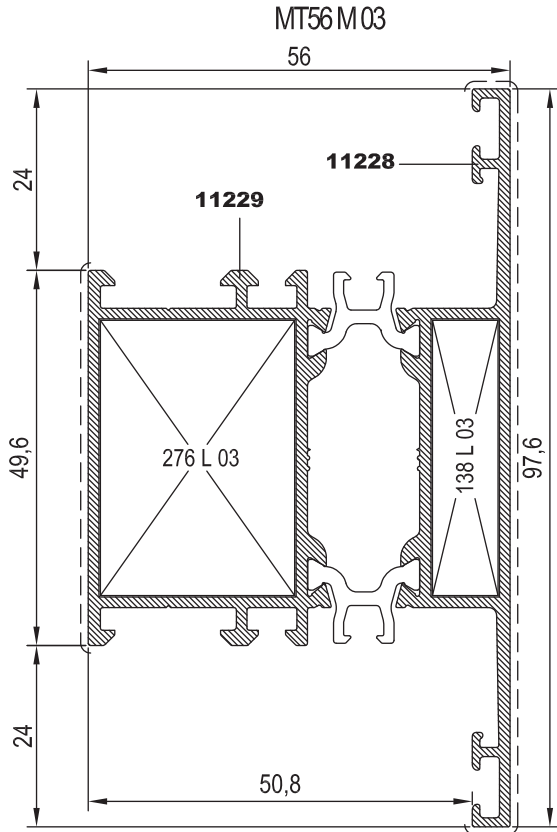
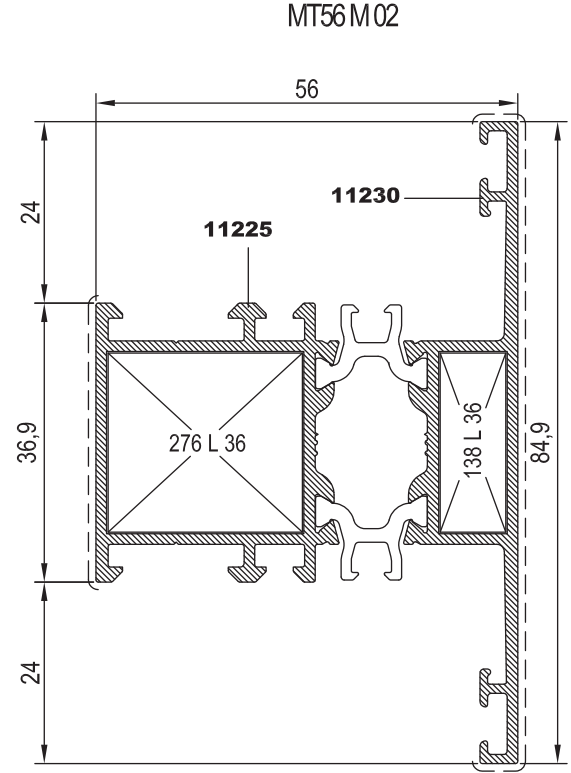
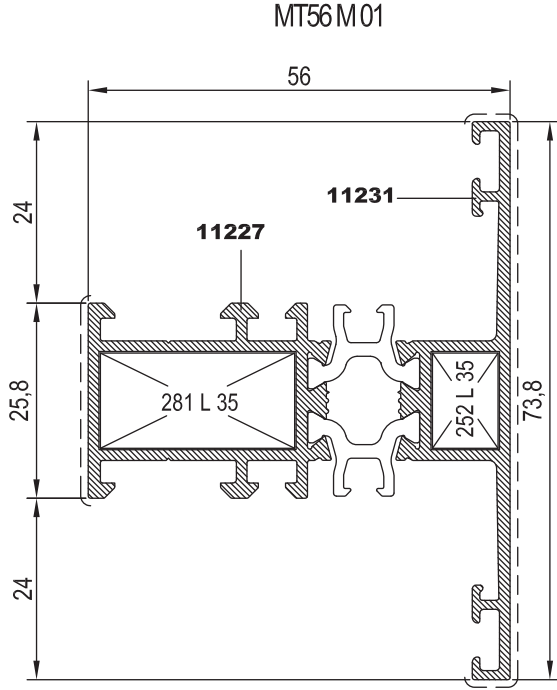
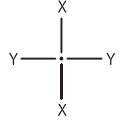
MT56 CDV 01




Nr		L m	KESİM ÖLÇÜSÜ CUTTING SIZE	AKS. KODU ACS. CODE
MT56 CDV 01	11383	25 L 26 (10540)	31,6 mm	171 L 26
	11382	25 L 26 (10540)	6,4 mm	168 L 26



KOD / CODE	AĞIRLIK (kg/m) / WEIGHT	Jxx cm ⁴	Jyy cm ⁴	L m
MT56 M 01	1,231	11,739	9,238	6.00
MT56 M 02	1,443	13,775	15,948	6.00
MT56 M 03	1,651	16,058	27,366	6.00

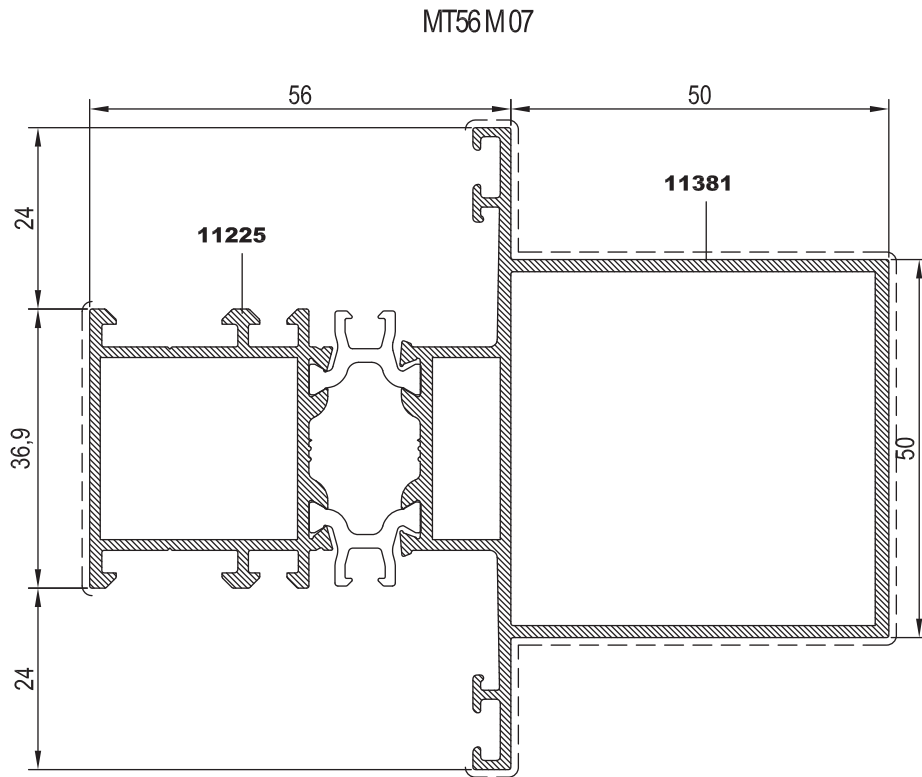
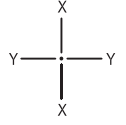




Nr		L m	KESİM ÖLÇÜSÜ CUTTING SIZE	AKS. KODU ACS. CODE
MT56 M 01	11227	25 L 35 (10076)	25,7 mm	281 L 35
	11231	25 L 35 (10076)	8,7 mm	252 L 35
MT56 M 02	11225	25 L 36 (2397)	25,6 mm	276 L 36
	11230	25 L 36 (2397)	8,6 mm	138 L 36
MT56 M 03	11229	25 L 03 (2021)	25,6 mm	276 L 03
	11228	25 L 03 (2021)	8,6 mm	138 L 03

Nr		L m	KESİM ÖLÇÜSÜ CUTTING SIZE	AKS. KODU ACS. CODE
MT56 M 01	11227	25 J 17 (11266)	12,6 mm	286 J 17
	11231	25 J 18 (11265)	12,6 mm	286 J 18
MT56 M 02	11225	25 J 17 (11266)	23,7 mm	285 J 17
	11230	25 J 18 (11265)	23,7 mm	285 J 18
MT56 M 03	11229	25 J 17 (11266)	36,4 mm	163 J 17
	11228	25 J 18 (11265)	36,4 mm	163 J 18
MT56 M 01	11227	25 J 17 (11266)	12,6 mm	286 J 17
	11231	25 J 19 (11264)	12,6 mm	286 J 19
MT56 M 02	11225	25 J 17 (11266)	23,7 mm	285 J 17
	11230	25 J 19 (11264)	23,7 mm	285 J 19
MT56 M 03	11229	25 J 17 (11266)	36,4 mm	163 J 17
	11228	25 J 19 (11264)	36,4 mm	163 J 19



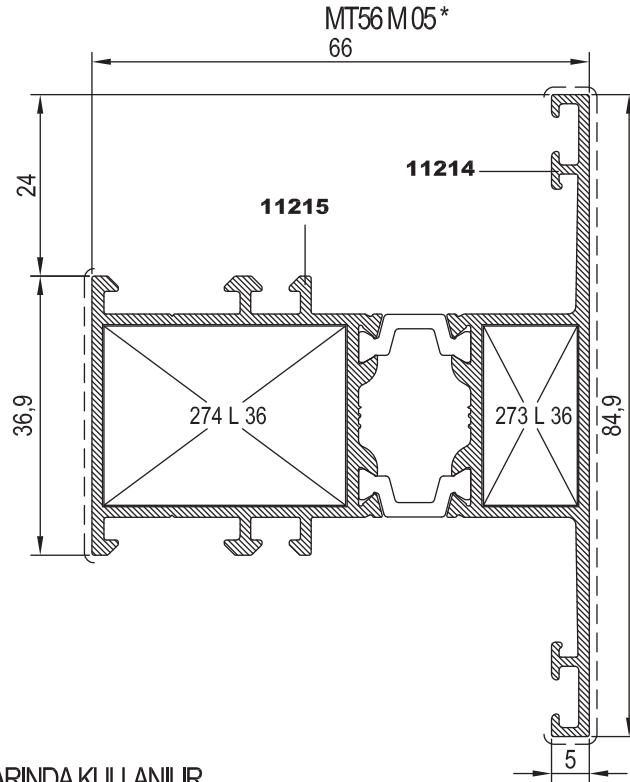
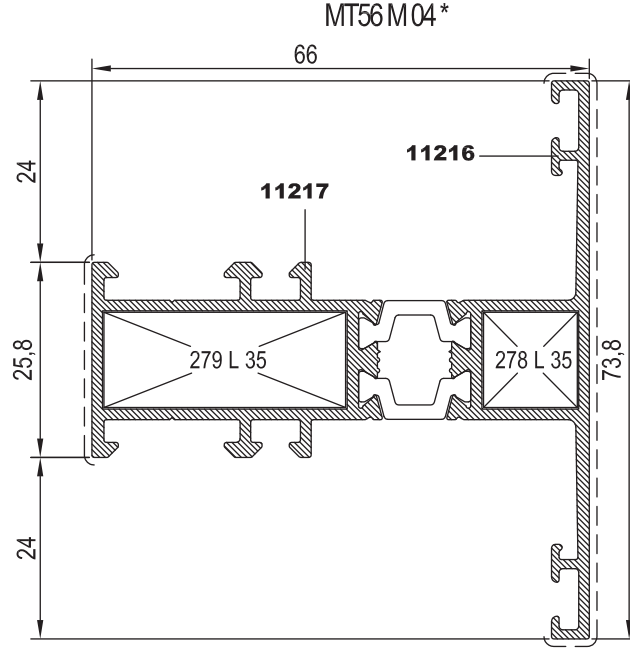
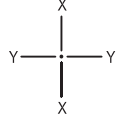
KOD / CODE	AĞIRLIK (kg/m) / WEIGHT	Jxx cm ⁴	Jyy cm ⁴	L m
MT56 M 07	2,515	55,430	26,866	6,00




Nr		L m	KESİM ÖLÇÜSÜ CUTTING SIZE	 AKS. KODU ACS. CODE
MT56 M 07	11225	25 J 17 (11266)	23,7 mm	285 J 17
	11381	25 J 18 (11265)	23,7 mm	285 J 18




KOD / CODE	AĞIRLIK (kg/m) / WEIGHT	Jxx cm ⁴	Jyy cm ⁴	L m
MT56 M 04	1,273	17,613	9,382	6,00
MT56 M 05	1,485	20,367	16,399	6,00



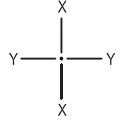
* MT56 V 01 - V 02 - V 03 KANATLARINDA KULLANILIR
* USE IN MT56 V 01 - V 02 - V 03

Nr		L m	KESİM ÖLÇÜSÜ CUTTING SIZE	AKS. KODU ACS. CODE
MT56 M 04	11217	25 J 20 (11263)	12,6 mm	286 J 20
	11216	25 J 21 (11262)	12,6 mm	286 J 21
MT56 M 05	11215	25 J 20 (11263)	23,7 mm	285 J 20
	11214	25 J 21 (11262)	23,7 mm	285 J 21

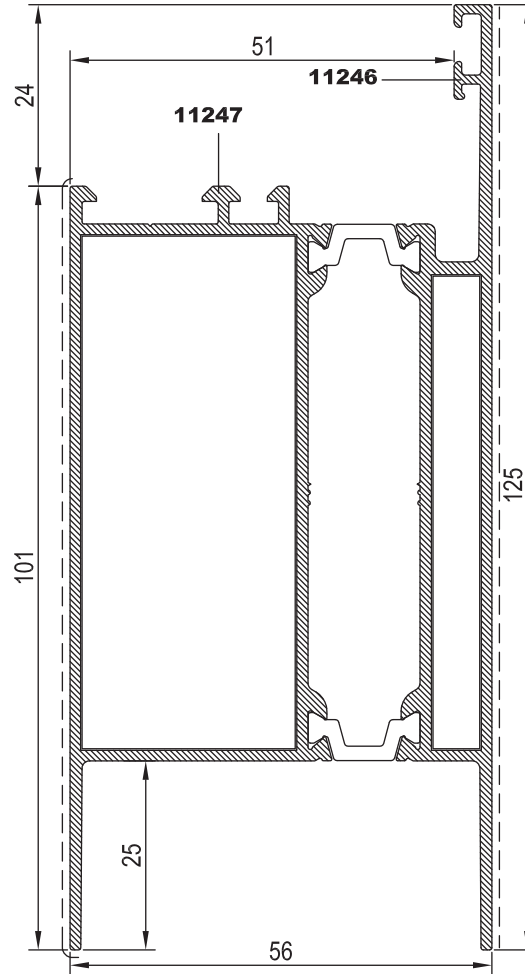
Nr		L m	KESİM ÖLÇÜSÜ CUTTING SIZE	AKS. KODU ACS. CODE
MT56 M 04	11217	25 L 35 (10076)	32,0 mm	279 L 35
	11216	25 L 35 (10076)	12,4 mm	278 L 35
MT56 M 05	11215	25 L 36 (2397)	31,9 mm	274 L 36
	11214	25 L 36 (2397)	12,3 mm	273 L 36



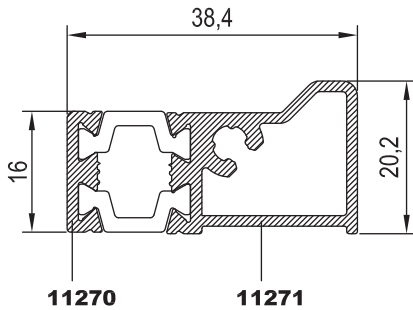
KOD / CODE	AĞIRLIK (kg/m) / WEIGHT	Jxx cm4	Jyy cm4	L m
MT56 K 01	2,095	23,502	73,130	6,00
MT56 K 02	0,612	2,245	0,678	6,00
MT56 K 03	0,854	6,082	1,733	6,00



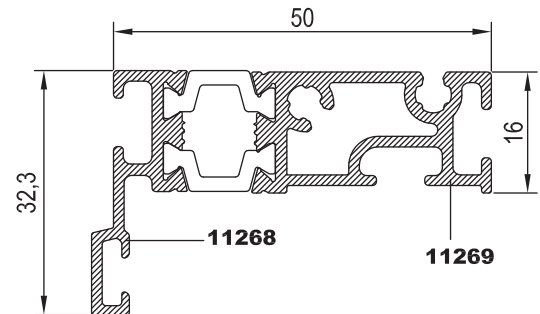
MT56 K01



MT56 K02



MT56 K03



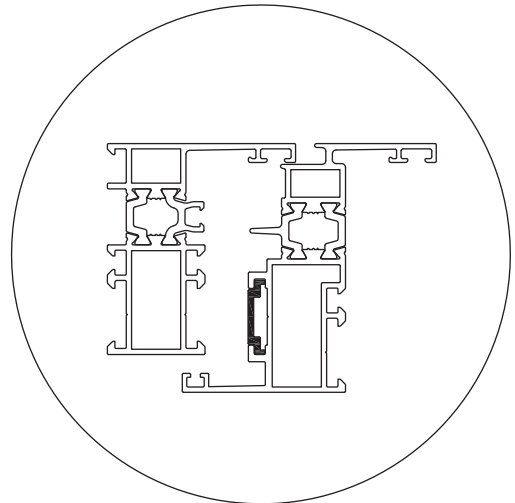
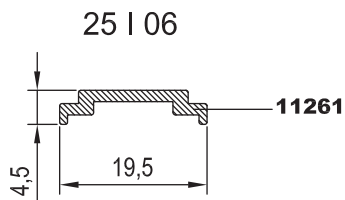
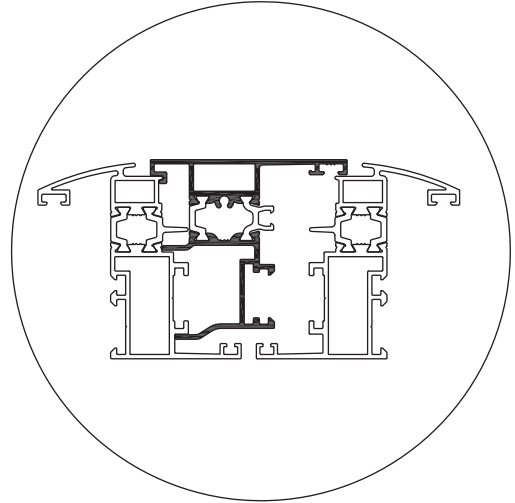
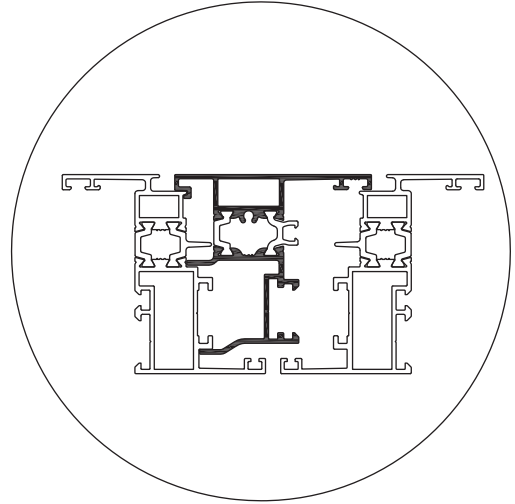
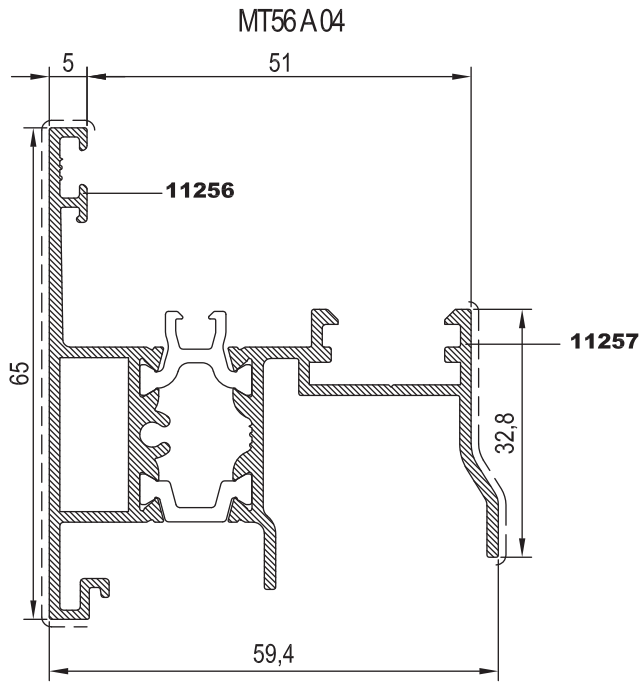
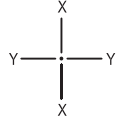
Nr

KESİM ÖLÇÜSÜ
CUTTING SIZEAKS. KODU
ACS. CODE

MT56 K 01	11247	25 J 23 (11276)	67,6 mm	284 J 23
	11246	25 J 22 (11277)	62,5 mm	283 J 22



KOD / CODE	AĞIRLIK (kg/m) / WEIGHT	Jxx cm ⁴	Jyy cm ⁴	L m ←→
MT56 A 04 25 I 06	1,217 0,104	11,489 -----	8,346 -----	6,00 6,00



11

12

13

14

15

16

17

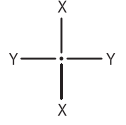
18

19

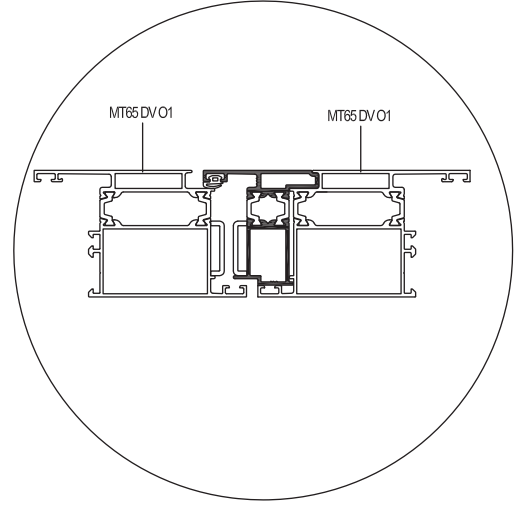
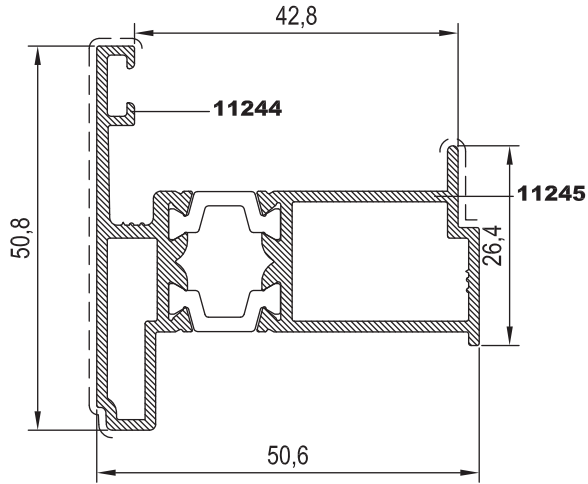
20



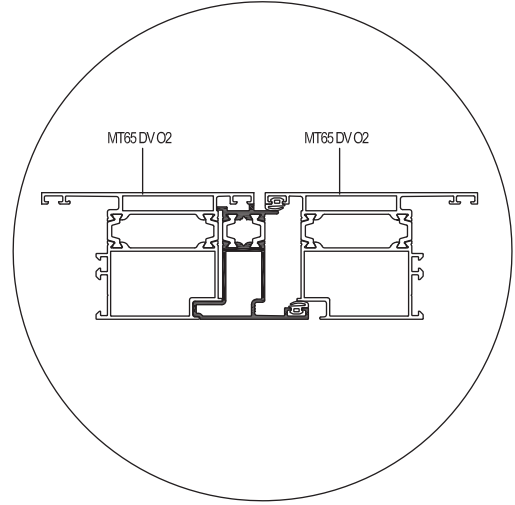
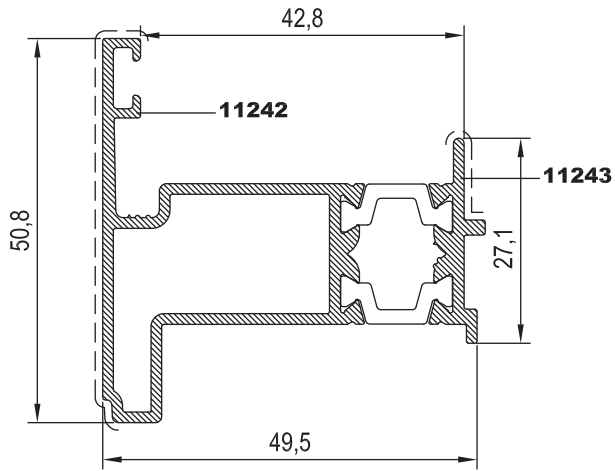
KOD / CODE	AĞIRLIK (kg/m) / WEIGHT	J _{xx} cm ⁴	J _{yy} cm ⁴	L m
MT56 DA 01	0,975	7,422	4,120	6,00
MT56 DA 02	0,922	7,622	4,082	6,00



MT56 DA 01 (MT56 DV 01 İLE)

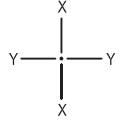


MT56 DA 02 (MT56 DV 02 İLE)

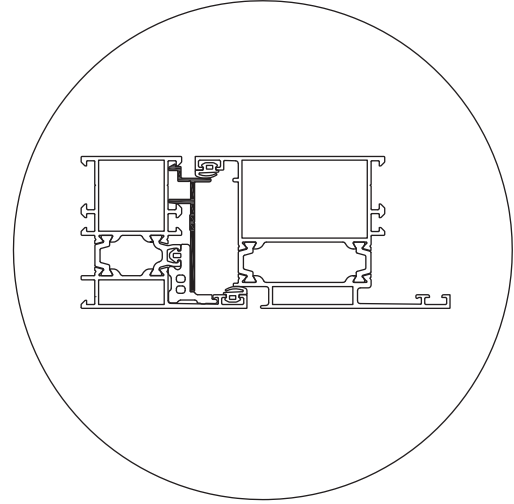
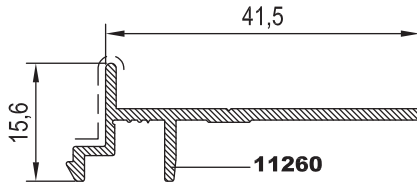




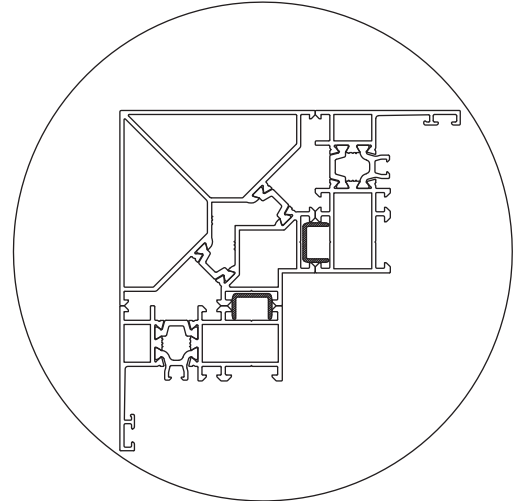
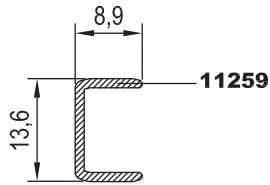
KOD / CODE	AĞIRLIK (kg/m) / WEIGHT	L m
MT65 A 01	0,273	6,00
MT65 A 02	0,090	6,00
MT65 A 03	0,061	6,00



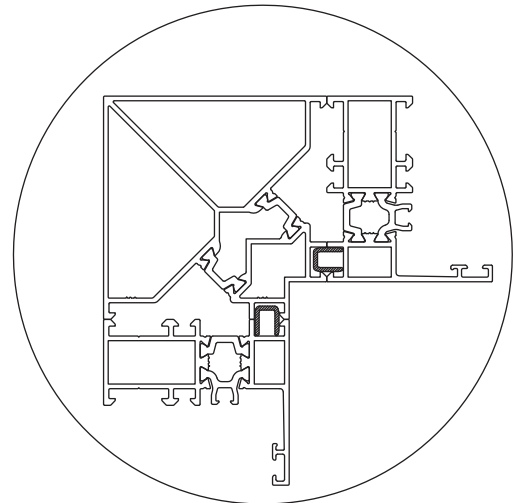
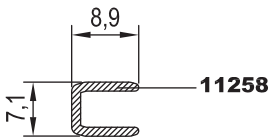
MT65 A 01



MT65 A 02



MT65 A 03



11

12

13

14

15

16

17

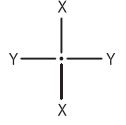
18

19

20



KOD / CODE	AĞIRLIK (kg/m) / WEIGHT	Jxx cm ⁴	Jyy cm ⁴	L m
MT56 C 01	1,814	22,179	22,183	6,00
MT56 C 02	1,745	22,003	21,974	6,00



11

12

13

14

15

16

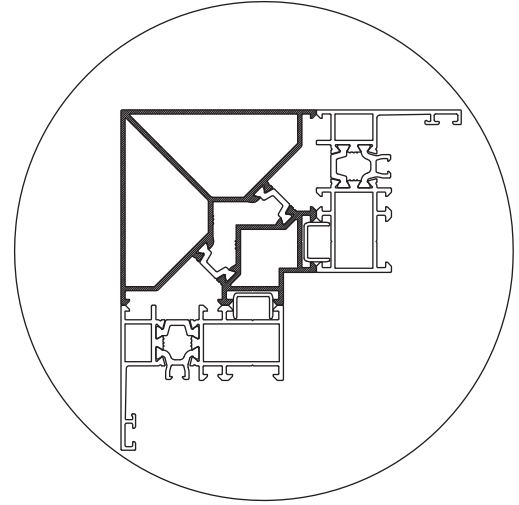
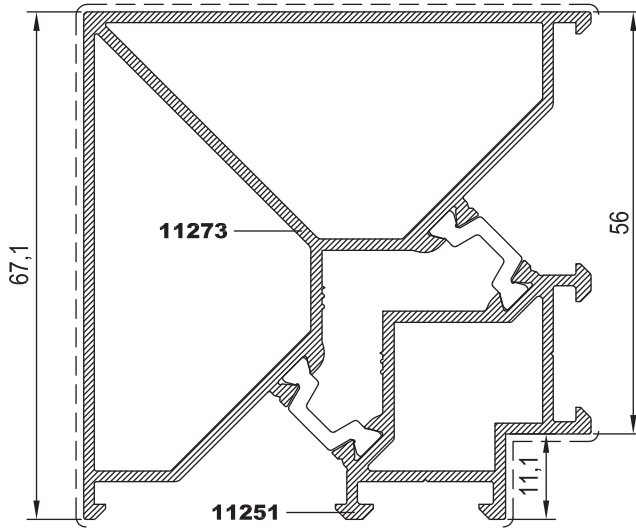
17

18

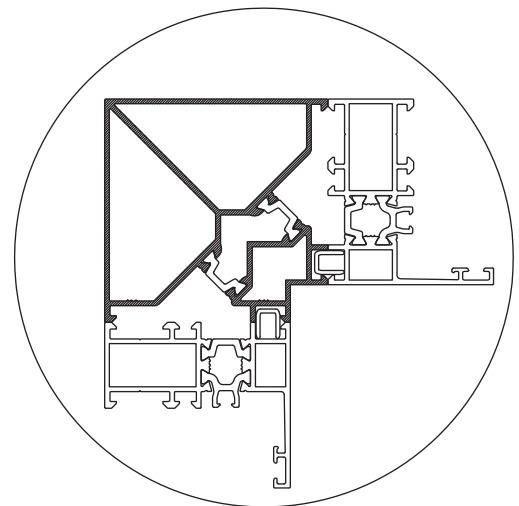
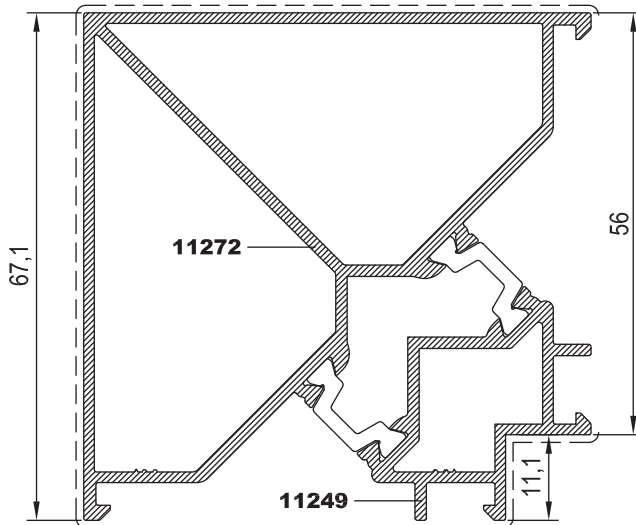
19

20

MT56 C 01

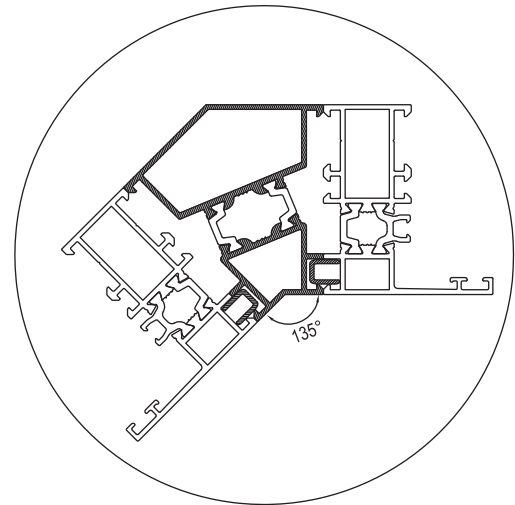
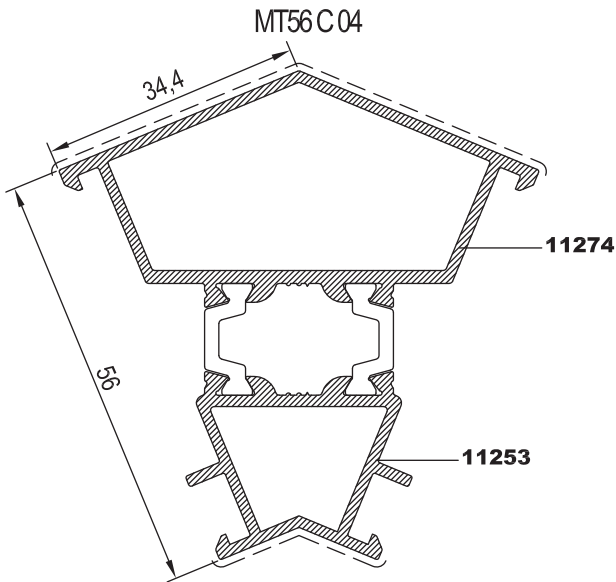
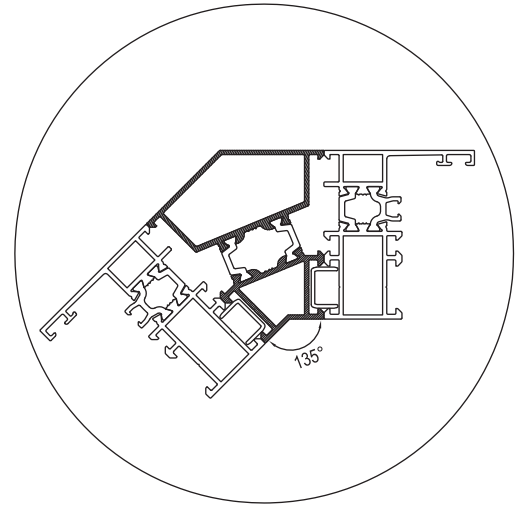
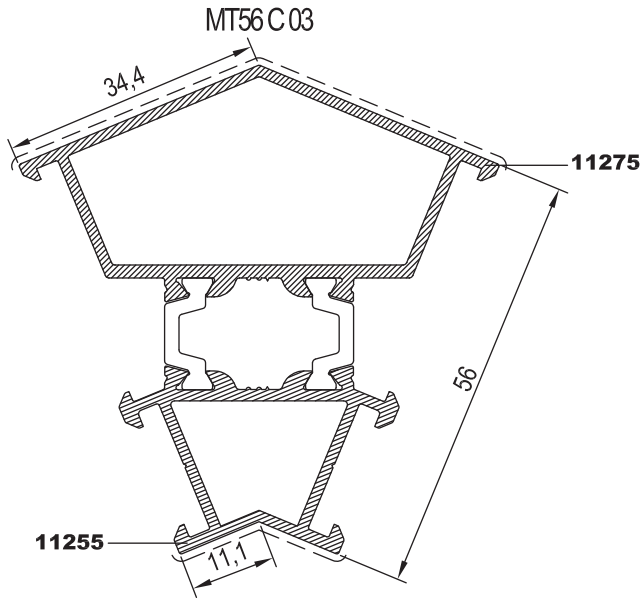
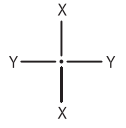


MT56 C 02





KOD / CODE	AĞIRLIK (kg/m) / WEIGHT	Jxx cm ⁴	Jyy cm ⁴	L m
MT56 C 03	1,217	6,590	10,654	6,00
MT56 C 04	1,190	6,473	10,664	6,00



11

12

13

14

15

16

17

18

19

20



KOD / CODE	AĞIRLIK (kg/m) / WEIGHT	L m	
24 G 13	0,296	6	
24 G 14	0,315	6	
24 G 15	0,334	6	
24 G 16	0,353	6	

11

12

13

14

15

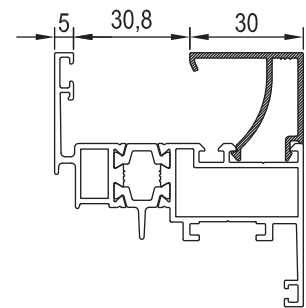
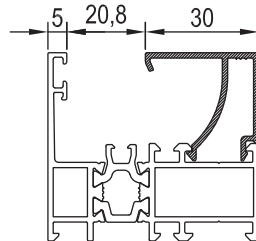
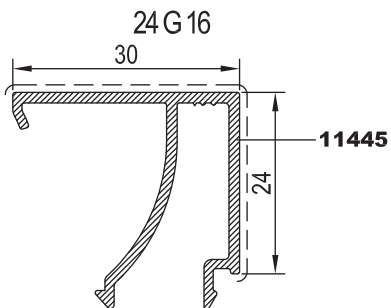
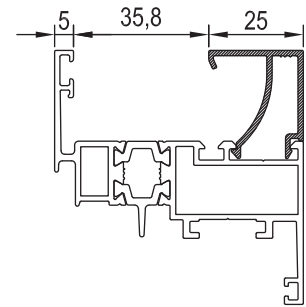
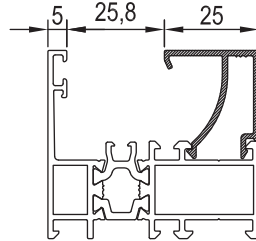
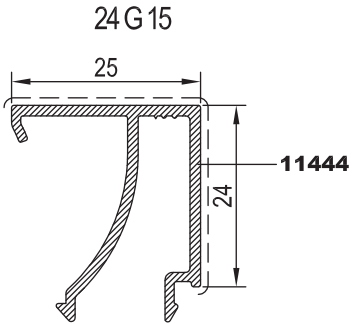
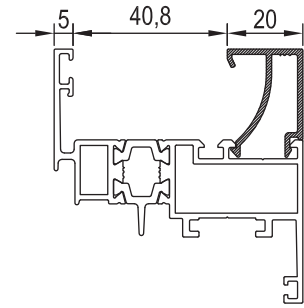
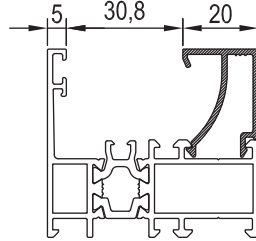
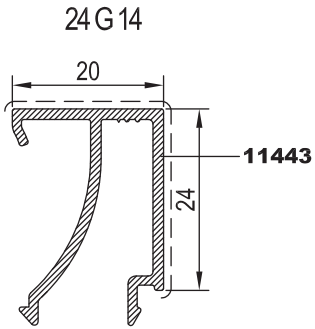
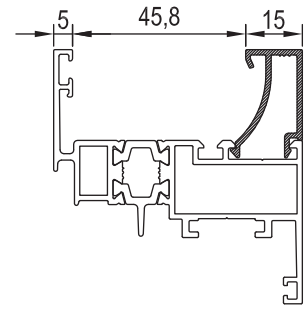
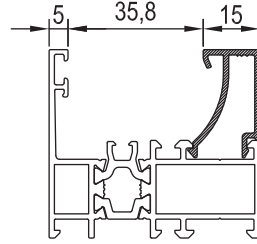
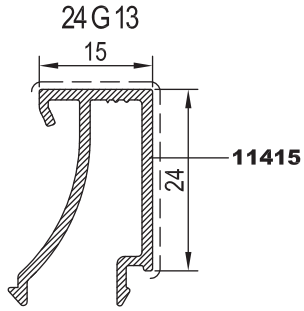
16

17

18

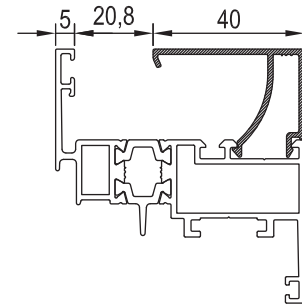
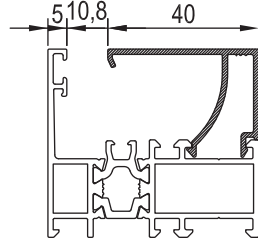
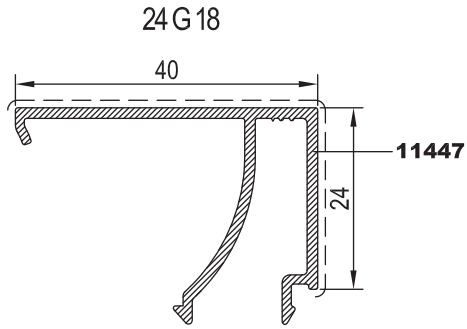
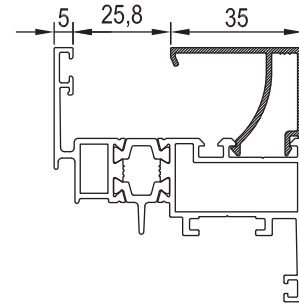
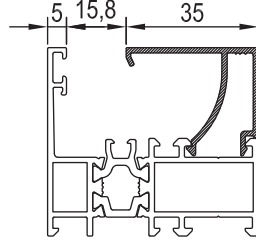
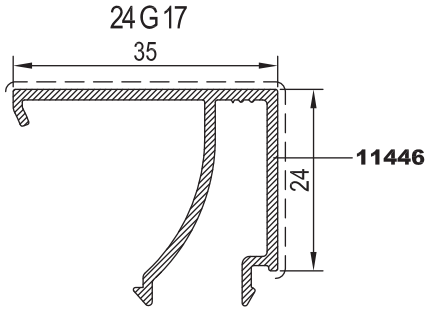
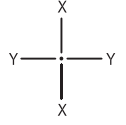
19

20





KOD / CODE	AĞIRLIK (kg/m) / WEIGHT	L m	
24 G 17	0,372	6	
24 G 18	0,391	6	



11

12

13

14

15

16

17

18

19

20

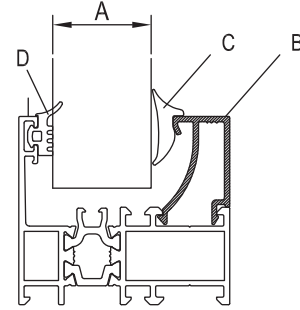


11

UYGULANAN PROFİLLER: MT56F01-MT56F02-MT56DV01-MT56DV02-MT56CDV01-MT56CF01-MT56CV01-MT56CV02-MT56M01-MT56M02-MT56M03-MT56K01
USE WITH: MT56F01-MT56F02-MT56DV01-MT56DV02-MT56CDV01-MT56CF01-MT56CV01-MT56CV02-MT56M01-MT56M02-MT56M03-MT56K01

B, CAM ÇİTASI GLAZING BEAD	C, İÇ CAM FİTİLİ GLAZING GASKET	A, CAM KALINLIĞI GLASS THICKNESS	D, DIŞ CAM FİTİLİ GLAZING GASKET
24 G 13	01.17.20	29 mm	01.16.10
24 G 13	01.17.05	28 mm	01.16.10
24 G 13	01.17.14	27 mm	01.16.10
24 G 13	01.17.15	26 mm	01.16.10
24 G 13	01.17.21	25 mm	01.16.10
24 G 14	01.17.20	24 mm	01.16.10
24 G 14	01.17.05	23 mm	01.16.10
24 G 14	01.17.14	22 mm	01.16.10
24 G 14	01.17.15	21 mm	01.16.10
24 G 14	01.17.21	20 mm	01.16.10
24 G 15	01.17.20	19 mm	01.16.10
24 G 15	01.17.05	18 mm	01.16.10
24 G 15	01.17.14	17 mm	01.16.10
24 G 15	01.17.15	16 mm	01.16.10
24 G 15	01.17.21	15 mm	01.16.10
24 G 16	01.17.20	14 mm	01.16.10
24 G 16	01.17.05	13 mm	01.16.10
24 G 16	01.17.14	12 mm	01.16.10
24 G 16	01.17.15	11 mm	01.16.10
24 G 16	01.17.21	10 mm	01.16.10

B, CAM ÇİTASI GLAZING BEAD	C, İÇ CAM FİTİLİ GLAZING GASKET	A, CAM KALINLIĞI GLASS THICKNESS	D, DIŞ CAM FİTİLİ GLAZING GASKET
24 G 17	01.17.20	9 mm	01.16.10
24 G 17	01.17.05	8 mm	01.16.10
24 G 17	01.17.14	7 mm	01.16.10
24 G 17	01.17.15	6 mm	01.16.10
24 G 17	01.17.21	5 mm	01.16.10
24 G 18	01.17.20	4 mm	01.16.10



14

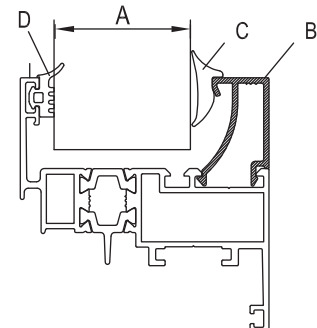
15

16

UYGULANAN PROFİLLER: MT56V01-MT56V02-MT56V03-MT56V05-MT56V06-MT56M04-MT56M05
USE WITH: MT56V01-MT56V02-MT56V03-MT56V05-MT56V06-MT56M04-MT56M05

B, CAM ÇİTASI GLAZING BEAD	C, İÇ CAM FİTİLİ GLAZING GASKET	A, CAM KALINLIĞI GLASS THICKNESS	D, DIŞ CAM FİTİLİ GLAZING GASKET
24 G 13	01.17.20	39 mm	01.16.10
24 G 13	01.17.05	38 mm	01.16.10
24 G 13	01.17.14	37 mm	01.16.10
24 G 13	01.17.15	36 mm	01.16.10
24 G 13	01.17.21	35 mm	01.16.10
24 G 14	01.17.20	34 mm	01.16.10
24 G 14	01.17.05	33 mm	01.16.10
24 G 14	01.17.14	32 mm	01.16.10
24 G 14	01.17.15	31 mm	01.16.10
24 G 14	01.17.21	30 mm	01.16.10
24 G 15	01.17.20	29 mm	01.16.10
24 G 15	01.17.05	28 mm	01.16.10
24 G 15	01.17.14	27 mm	01.16.10
24 G 15	01.17.15	26 mm	01.16.10
24 G 15	01.17.21	25 mm	01.16.10
24 G 16	01.17.20	24 mm	01.16.10
24 G 16	01.17.05	23 mm	01.16.10
24 G 16	01.17.14	22 mm	01.16.10
24 G 16	01.17.15	21 mm	01.16.10
24 G 16	01.17.21	20 mm	01.16.10

B, CAM ÇİTASI GLAZING BEAD	C, İÇ CAM FİTİLİ GLAZING GASKET	A, CAM KALINLIĞI GLASS THICKNESS	D, DIŞ CAM FİTİLİ GLAZING GASKET
24 G 17	01.17.20	19 mm	01.16.10
24 G 17	01.17.05	18 mm	01.16.10
24 G 17	01.17.14	17 mm	01.16.10
24 G 17	01.17.15	16 mm	01.16.10
24 G 17	01.17.21	15 mm	01.16.10
24 G 18	01.17.20	14 mm	01.16.10
24 G 18	01.17.05	13 mm	01.16.10
24 G 18	01.17.14	12 mm	01.16.10
24 G 18	01.17.15	11 mm	01.16.10
24 G 18	01.17.21	10 mm	01.16.10



19

20



KÖŞE TAKOZLARI (CORNER CLEATS)

PROFİL KODU (PROFILE CODE)	25 L 03	25 L 26	25 L 29	25 L 32
FABRİKA KODU (FACTORY CODE)	2021	10540	10543	2430
AĞIRLIK (WEIGHT)	4,315 kg/m	4,870 kg/m	3,582 kg/m	3,702 kg/m
ÇİZİM (DRAWING)				


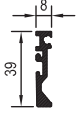





PROFİL KODU (PROFILE CODE)	25 L 35	25 L 36	25 L 44	25 L 51
FABRİKA KODU (FACTORY CODE)	10076	2397	10786	10887
AĞIRLIK (WEIGHT)	4,192 kg/m	7,657 kg/m	6,652 kg/m	4,409 kg/m
ÇİZİM (DRAWING)				

Nr		KESİM ÖLÇÜSÜ CUTTING SIZE	AKS. KODU ACS. CODE	
MT56 F 01	11227	25 L 35 (10076)	25,7 mm	281 L 35
	11226	25 L 35 (10076)	8,7 mm	252 L 35
MT56 F 02	11225	25 L 36 (2397)	25,6 mm	276 L 36
	11224	25 L 36 (2397)	8,6 mm	138 L 36
MT56 DF 01	11239	25 L 32 (2430)	28,1 mm	126 L 32
	11238	25 L 32 (2430)	6,1 mm	127 L 32
MT56 DF 02	11236	25 L 32 (2430)	28,1 mm	126 L 32
	11237	25 L 32 (2430)	6,1 mm	127 L 32
MT56 CF 01	11227	25 L 35 (10076)	25,7 mm	281 L 35
	11240	25 L 35 (10076)	17,4 mm	282 L 35
MT56 V 01	11223	25 L 35 (10076)	32,0 mm	279 L 35
	11222	25 L 35 (10076)	6,9 mm	280 L 35
MT56 V 02	11221	25 L 36 (2397)	31,9 mm	274 L 36
	11220	25 L 36 (2397)	6,8 mm	275 L 36
MT56 V 03	11219	25 L 03 (2021)	31,9 mm	274 L 03
	11218	25 L 03 (2021)	6,8 mm	275 L 03
MT56 V 05	11345	25 L 51 (10887)	31,9 mm	274 L 51
	11220	25 L 36 (2397)	6,8 mm	275 L 36
MT56 V 06	11346	25 L 29 (10543)	31,9 mm	274 L 29
	11218	25 L 03 (2021)	6,9 mm	280 L 03
MT56 DV 01	11235	25 L 26 (10540)	28,1 mm	126 L 26
	11234	25 L 32 (2430)	6,1 mm	127 L 32
MT56 DV 02	11233	25 L 26 (10540)	20,0 mm	277 L 26
	11232	25 L 44 (10786)	6,1 mm	127 L 44
MT56 CV 01	11223	25 L 35 (10076)	32,0 mm	279 L 35
	11241	25 L 35 (10076)	6,9 mm	280 L 35

Nr		KESİM ÖLÇÜSÜ CUTTING SIZE	AKS. KODU ACS. CODE	
MT56 CV 02	11221	25 L 36 (2397)	31,9 mm	274 L 36
	11267	25 L 36 (2397)	6,8 mm	275 L 36
MT56 CDV 01	11383	25 L 26 (10540)	31,6 mm	171 L 26
	11382	25 L 26 (10540)	6,4 mm	168 L 26
MT56 M 01	11227	25 L 35 (10076)	25,7 mm	281 L 35
	11231	25 L 35 (10076)	8,7 mm	252 L 35
MT56 M 02	11225	25 L 36 (2397)	25,6 mm	276 L 36
	11230	25 L 36 (2397)	8,6 mm	138 L 36
MT56 M 03	11229	25 L 03 (2021)	25,6 mm	276 L 03
	11228	25 L 03 (2021)	8,6 mm	138 L 03
MT56 M 04	11217	25 L 35 (10076)	32,0 mm	279 L 35
	11216	25 L 35 (10076)	12,4 mm	278 L 35
MT56 M 05	11215	25 L 36 (2397)	31,9 mm	274 L 36
	11214	25 L 36 (2397)	12,3 mm	273 L 36



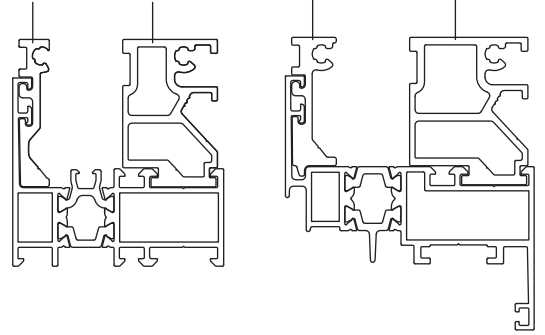
ORTA KAYIT BAĞLANTILAR (MULLION CONNECTION PIECES)

PROFİL KODU (PROFILE CODE)	25 J 17	25 J 18	25 J 19	25 J 20
FABRİKA KODU (FACTORY CODE)	11266	11265	11264	11263
AĞIRLIK (WEIGHT)	0,937 kg/m	0,438 kg/m	0,458 kg/m	1,039 kg/m
ÇİZİM (DRAWING)				
PROFİL KODU (PROFILE CODE)	25 J 21	25 J 22	25 J 23	
FABRİKA KODU (FACTORY CODE)	11262	11277	11276	
AĞIRLIK (WEIGHT)	0,531 kg/m	0,446 kg/m	0,979 kg/m	
ÇİZİM (DRAWING)				

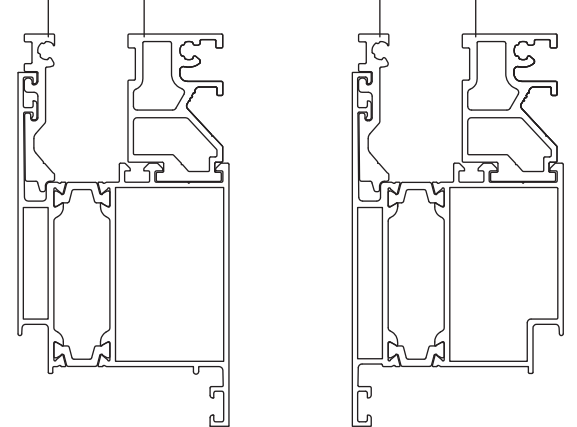
ORTA KAYIT BAĞLANTI (MULLION CONNECTION PIECE)

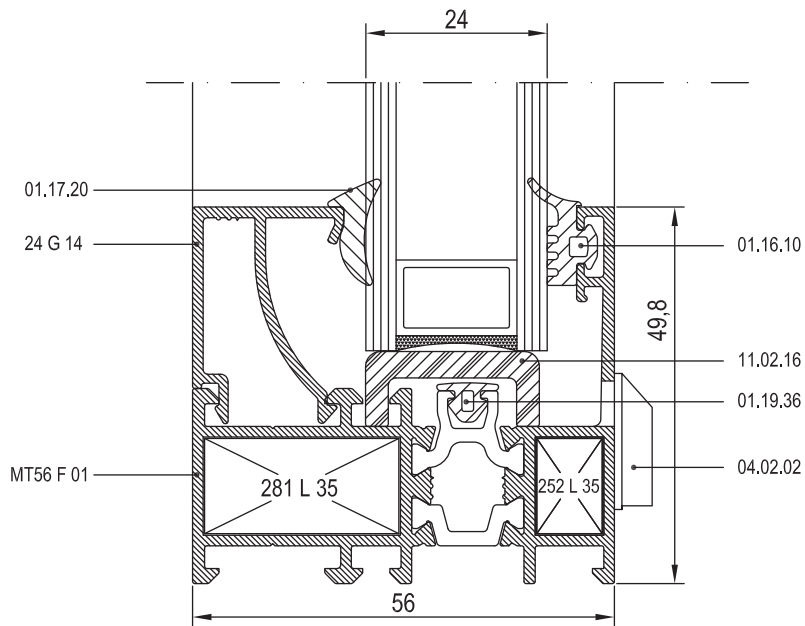
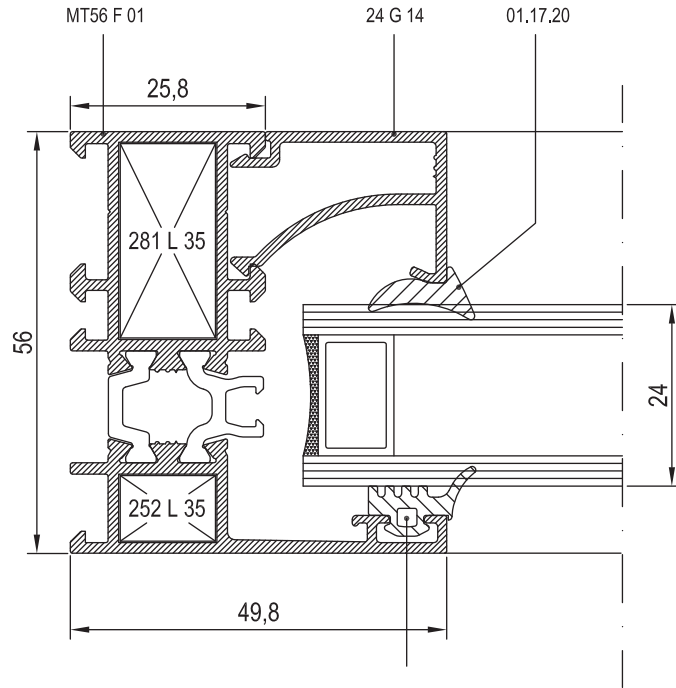
Nr		L m	KESİM ÖLÇÜSÜ CUTTING SIZE	AKS. KODU ACS. CODE
MT56 M 01	11227	25 J 17 (11266)	12,6 mm	286 J 17
	11231	25 J 18 (11265)	12,6 mm	286 J 18
MT56 M 02	11225	25 J 17 (11266)	23,7 mm	285 J 17
	11230	25 J 18 (11265)	23,7 mm	285 J 18
MT56 M 03	11229	25 J 17 (11266)	36,4 mm	163 J 17
	11228	25 J 18 (11265)	36,4 mm	163 J 18
MT56 M 07	11225	25 J 17 (11266)	23,7 mm	285 J 17
	11381	25 J 18 (11265)	23,7 mm	285 J 18
MT56 M 01	11227	25 J 17 (11266)	12,6 mm	286 J 17
	11231	25 J 19 (11264)	12,6 mm	286 J 19
MT56 M 02	11225	25 J 17 (11266)	23,7 mm	285 J 17
	11230	25 J 19 (11264)	23,7 mm	285 J 19
MT56 M 03	11229	25 J 17 (11266)	36,4 mm	163 J 17
	11228	25 J 19 (11264)	36,4 mm	163 J 19
MT56 M 04	11217	25 L 35 (10076)	32,0 mm	279 L 35
	11216	25 L 35 (10076)	12,4 mm	278 L 35
MT56 M 05	11215	25 L 36 (2397)	31,9 mm	274 L 36
	11214	25 L 36 (2397)	12,3 mm	273 L 36
MT56 K 01	11247	25 J 23 (11276)	67,6 mm	284 J 23
	11246	25 J 22 (11277)	62,5 mm	283 J 22

25 J 18 25 J 17 25 J 21 25 J 20



25 J 19 25 J 17 25 J 19 25 J 17





11

12

13

14

15

16

17

18

19

20



11

12

13

14

15

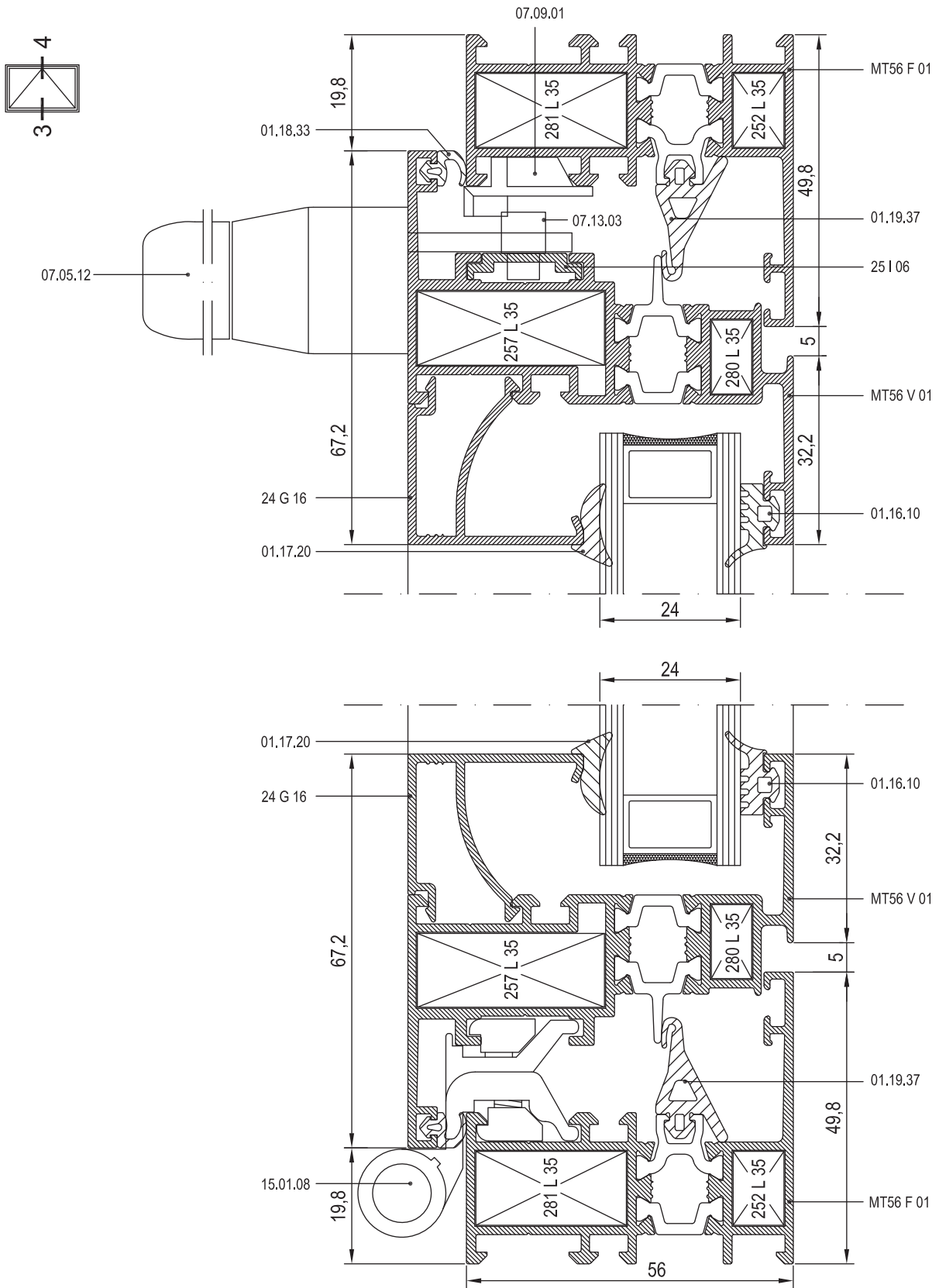
16

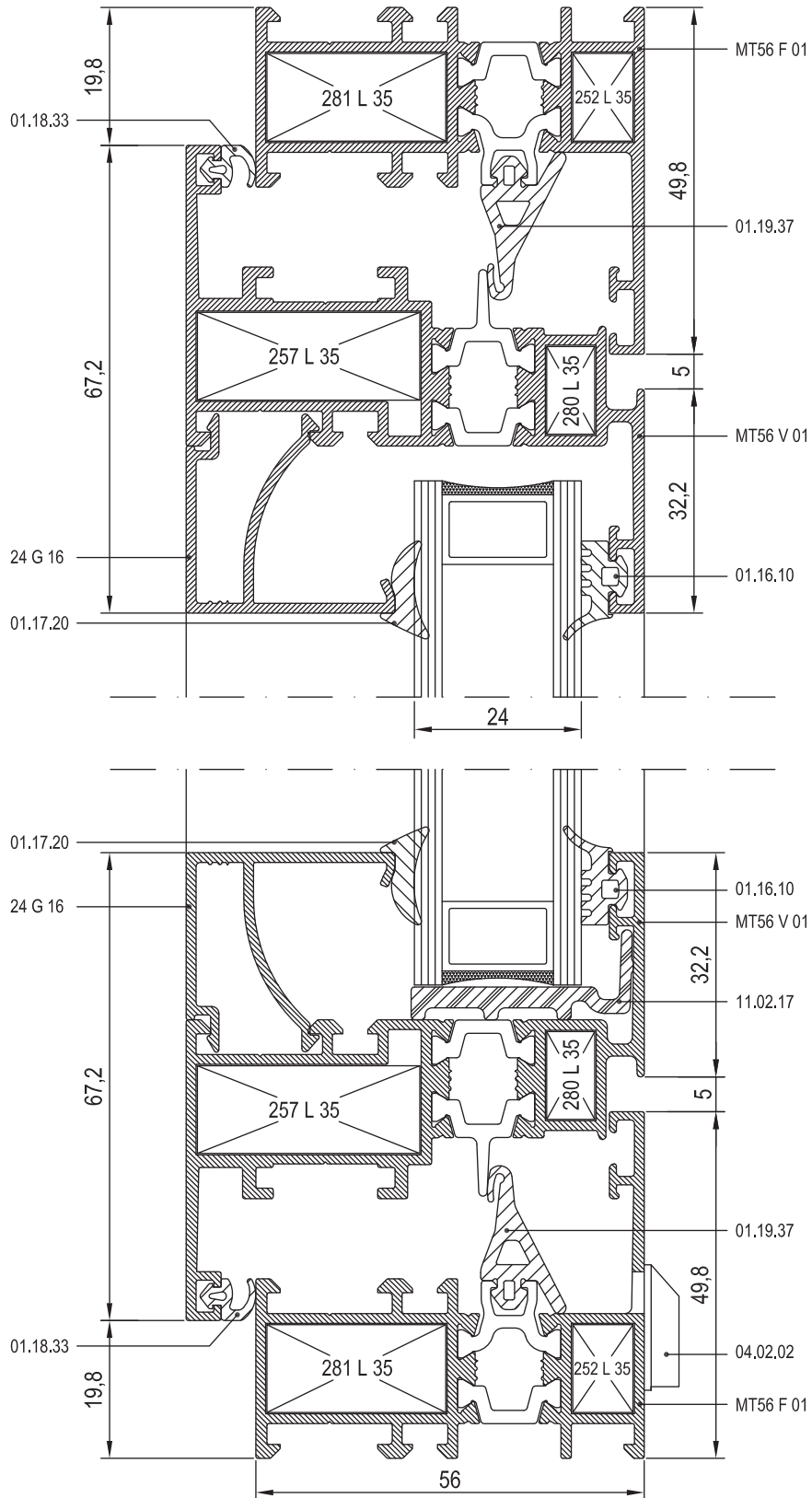
17

18

19

20







11

12

13

14

15

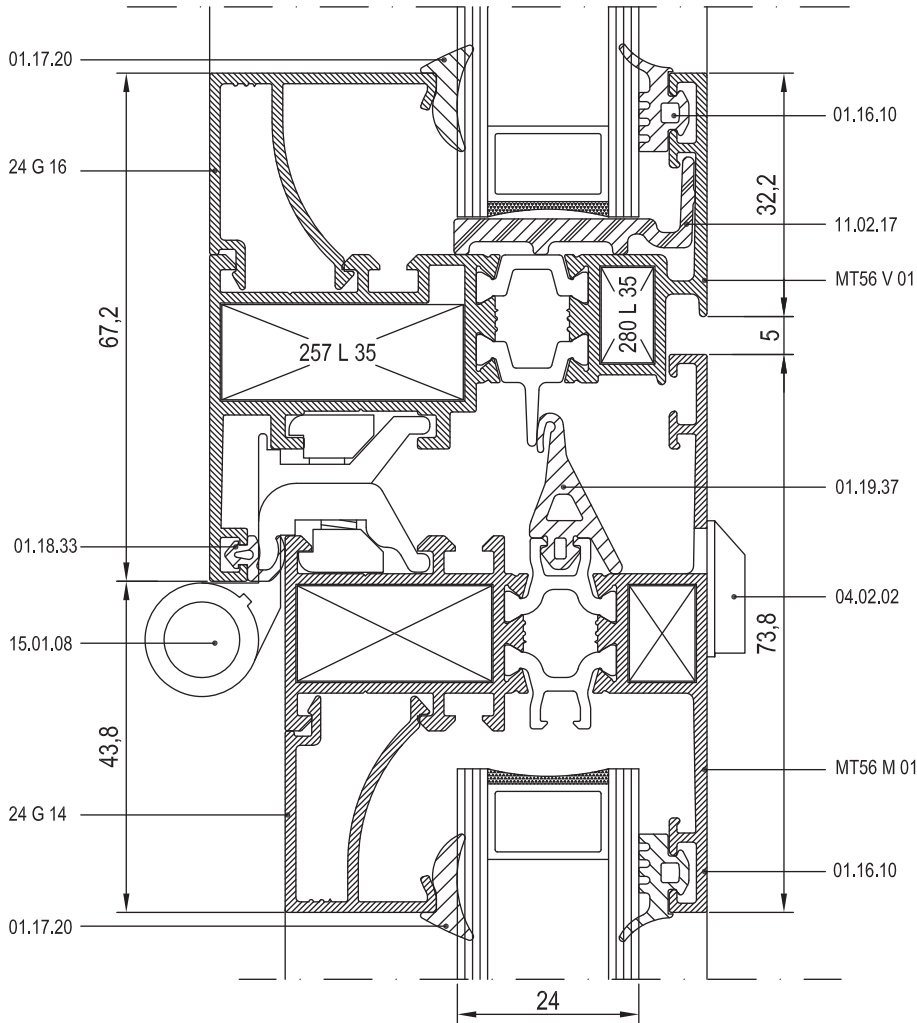
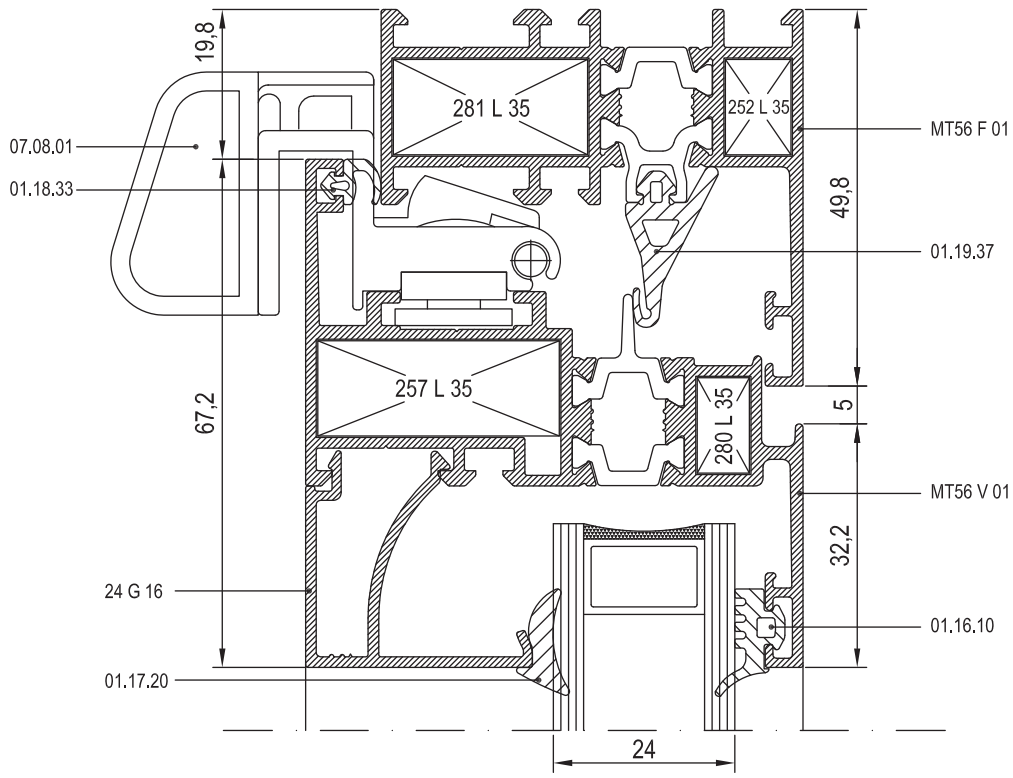
16

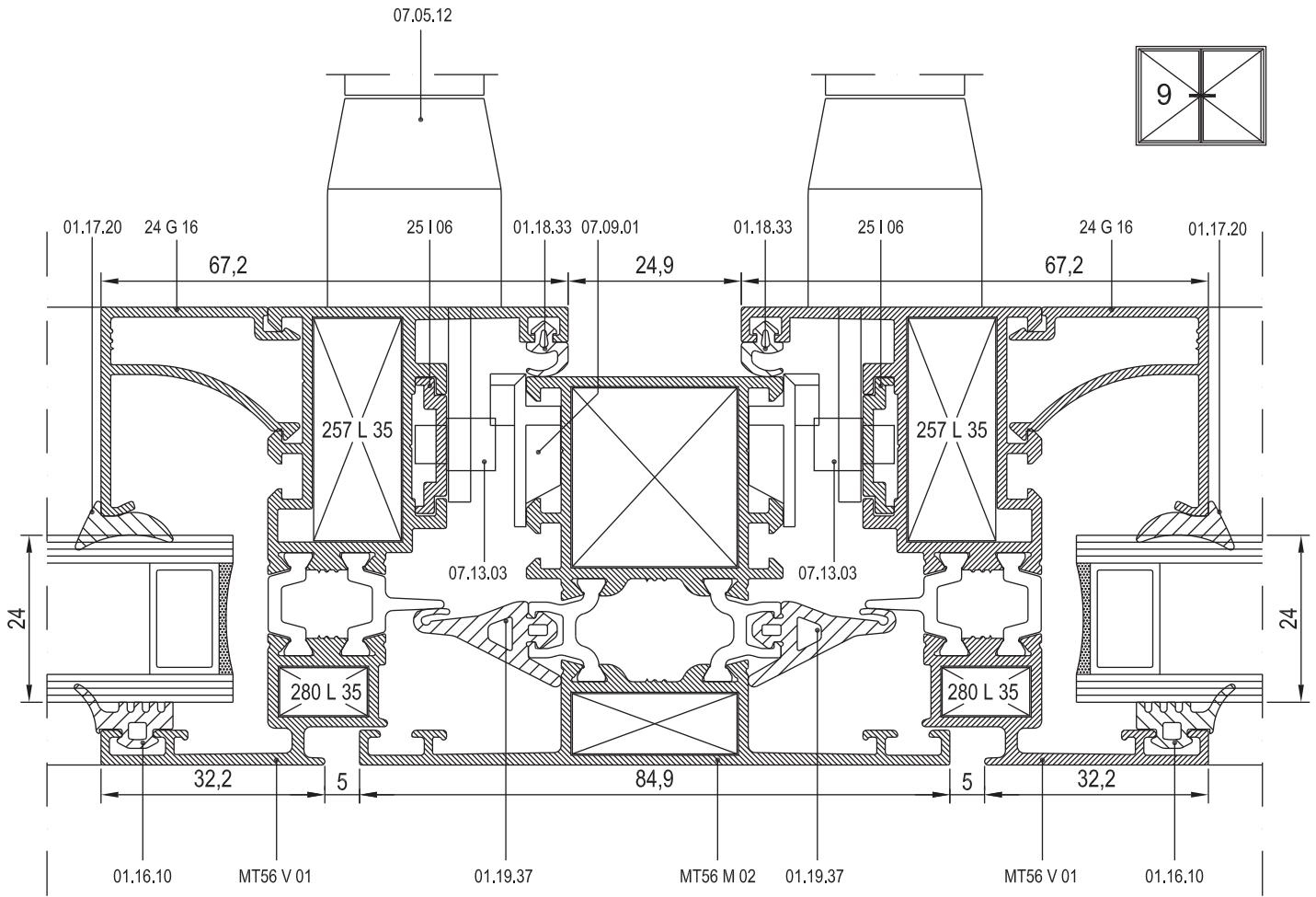
17

18

19

20





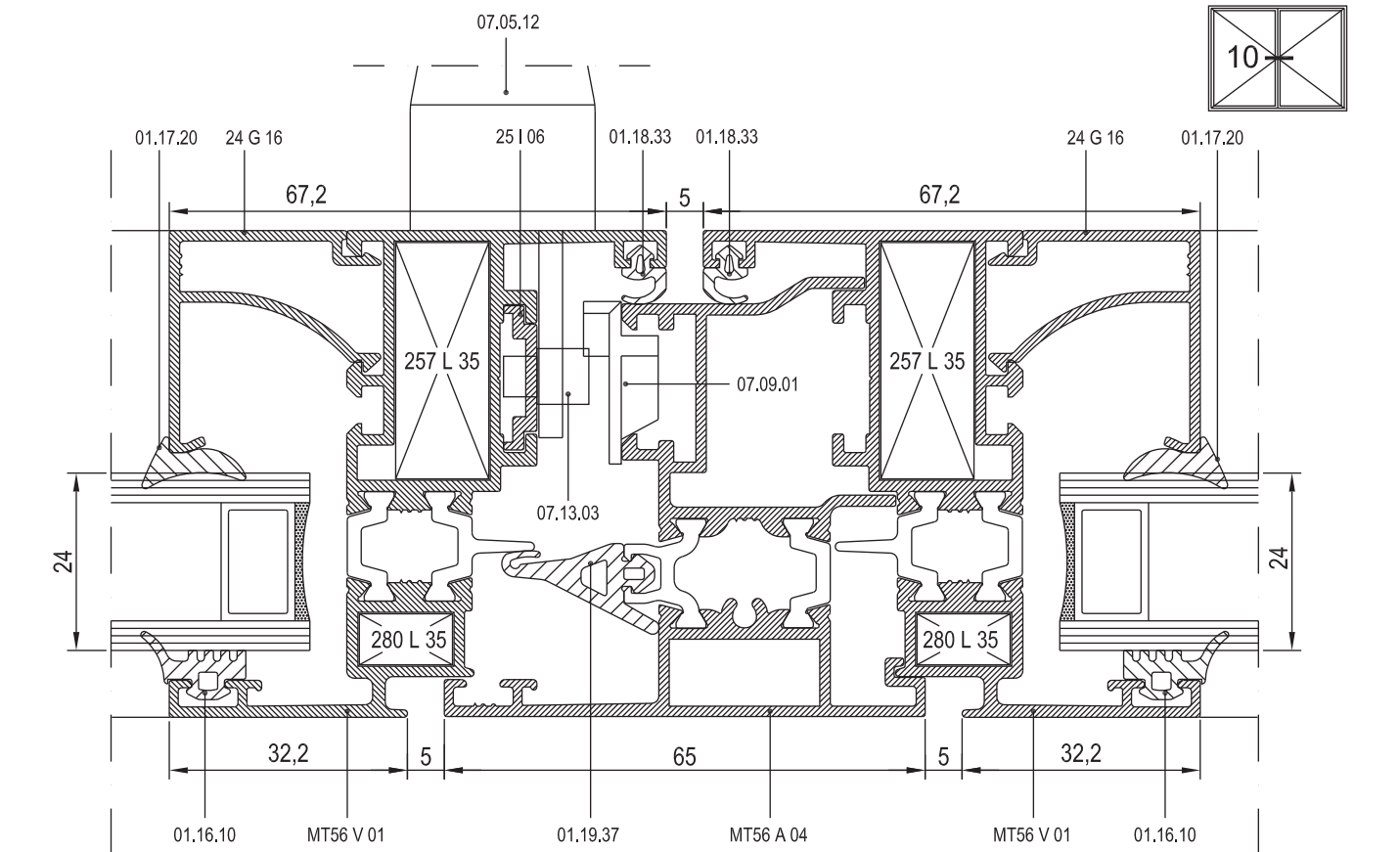
11

12

13

14

15



16

17

18

19

20



11

12

13

14

15

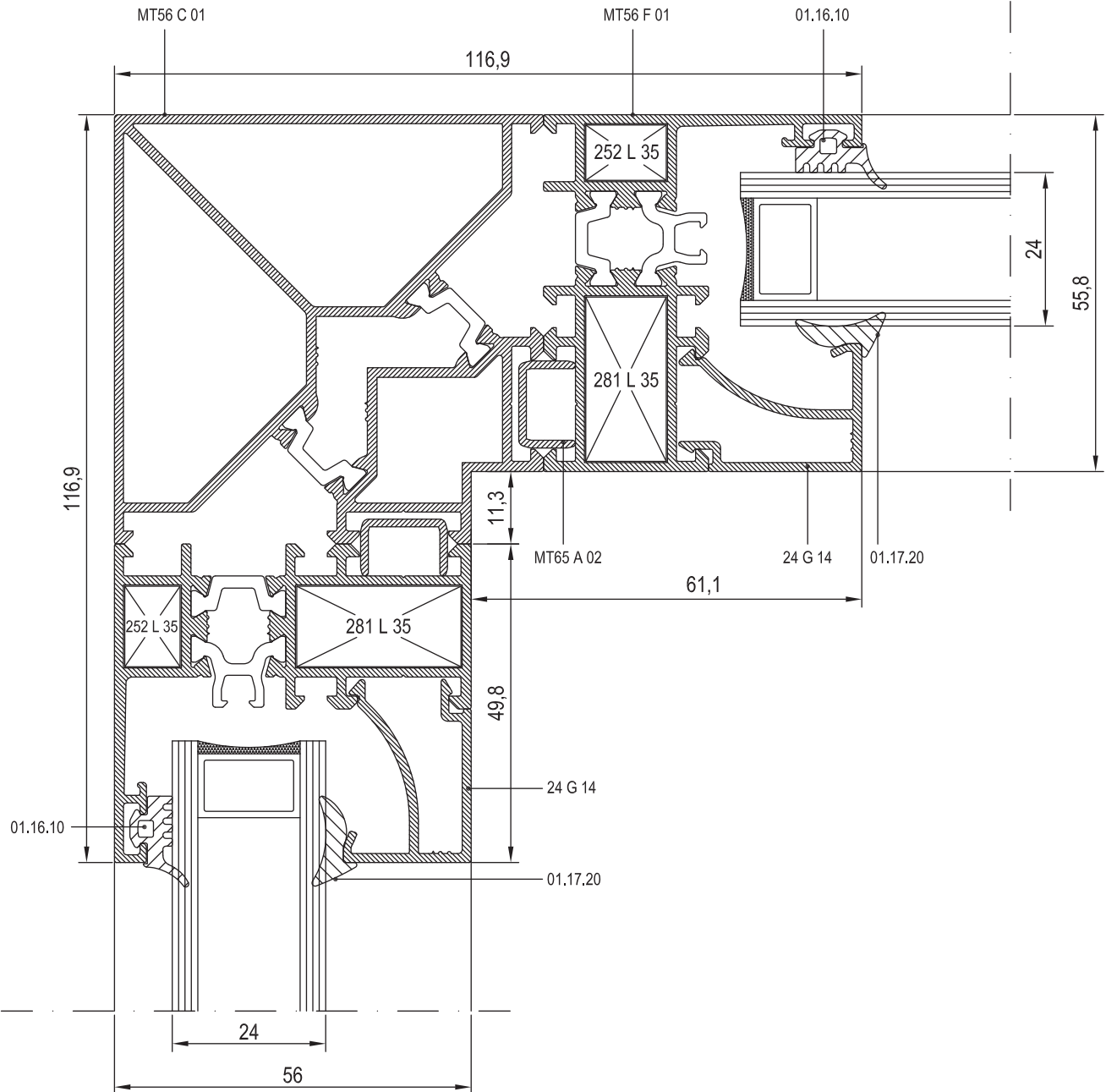
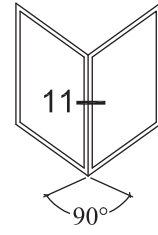
16

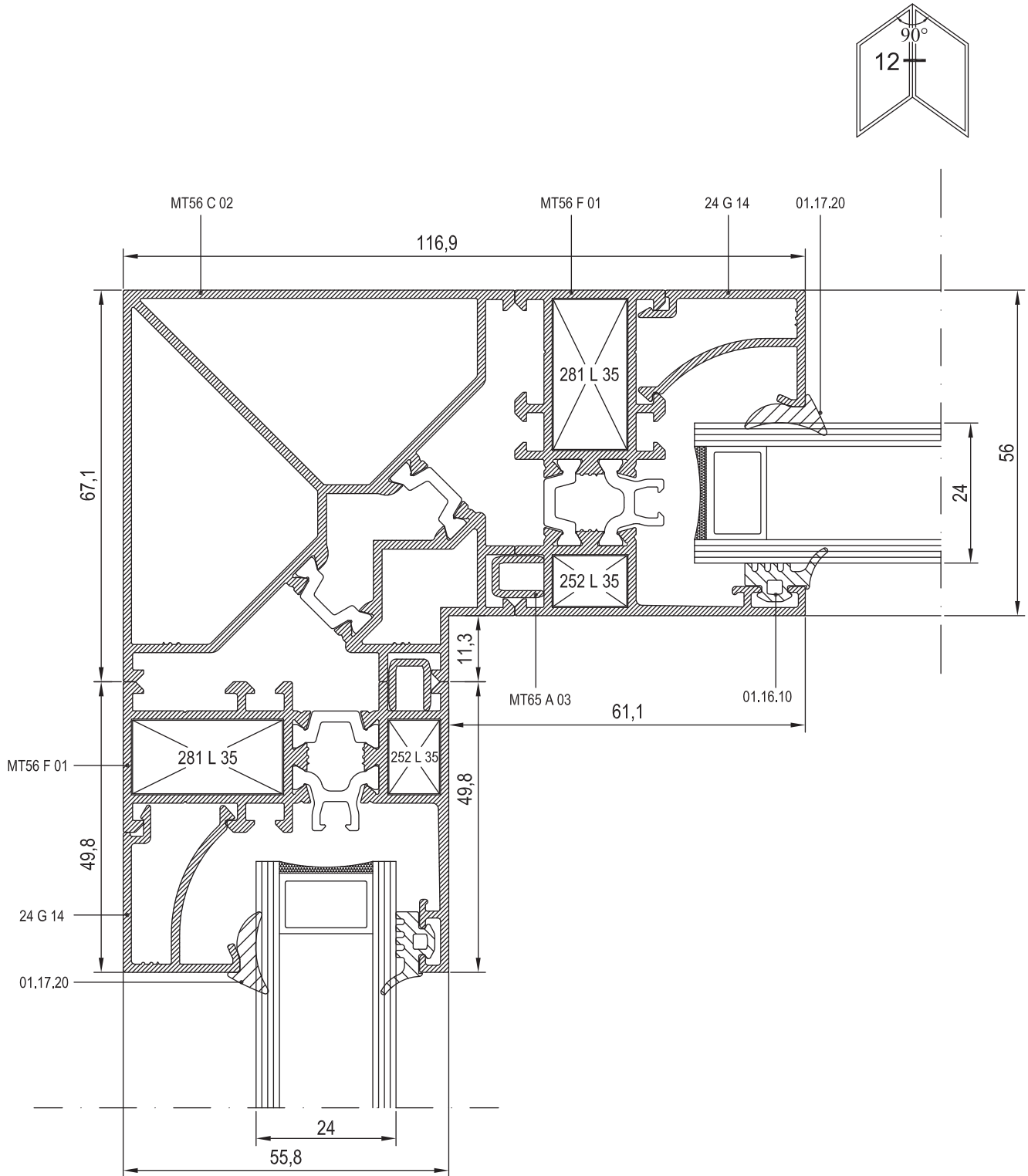
17

18

19

20





11

12

13

14

15

16

17

18

19

20



11

12

13

14

15

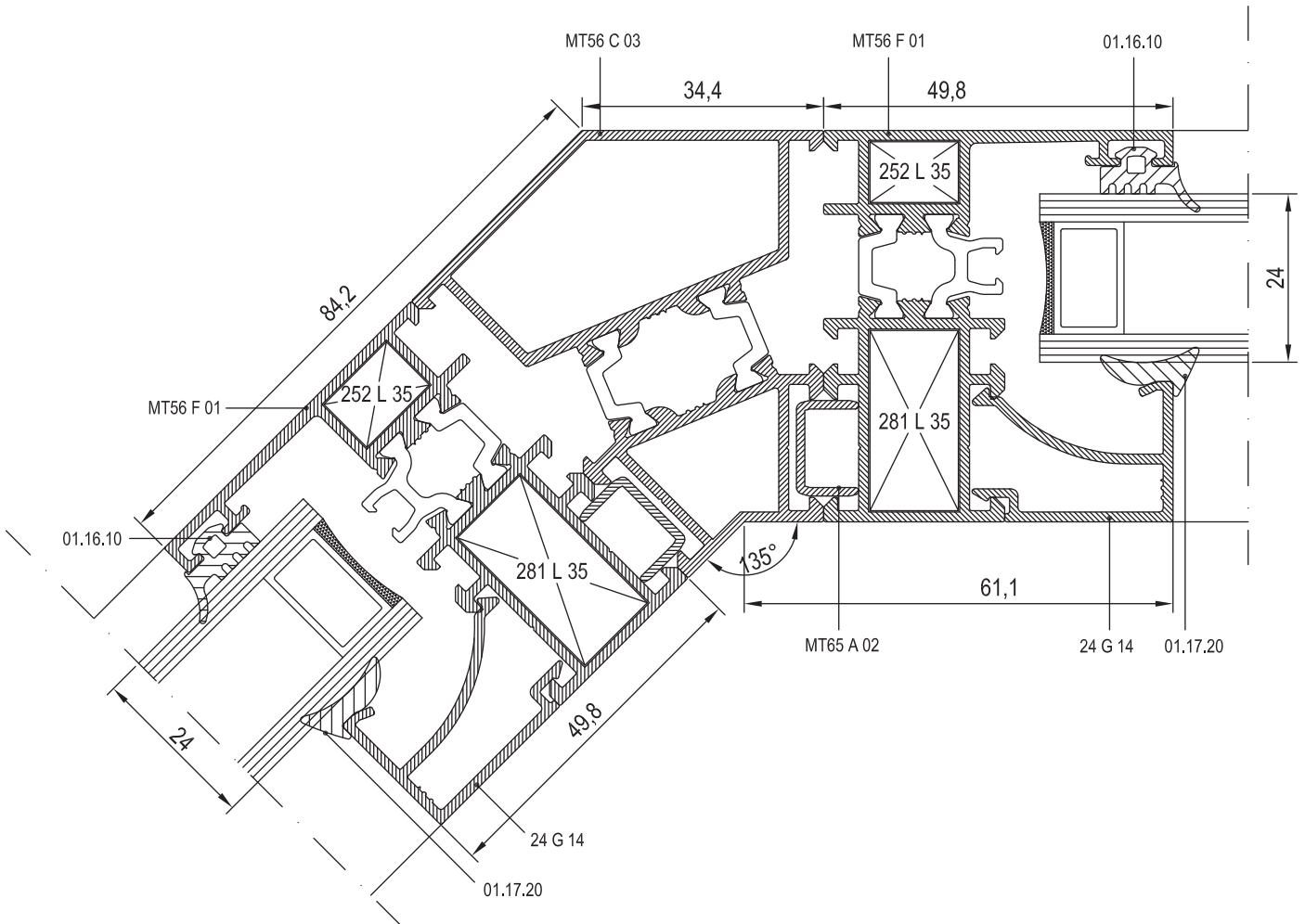
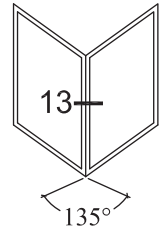
16

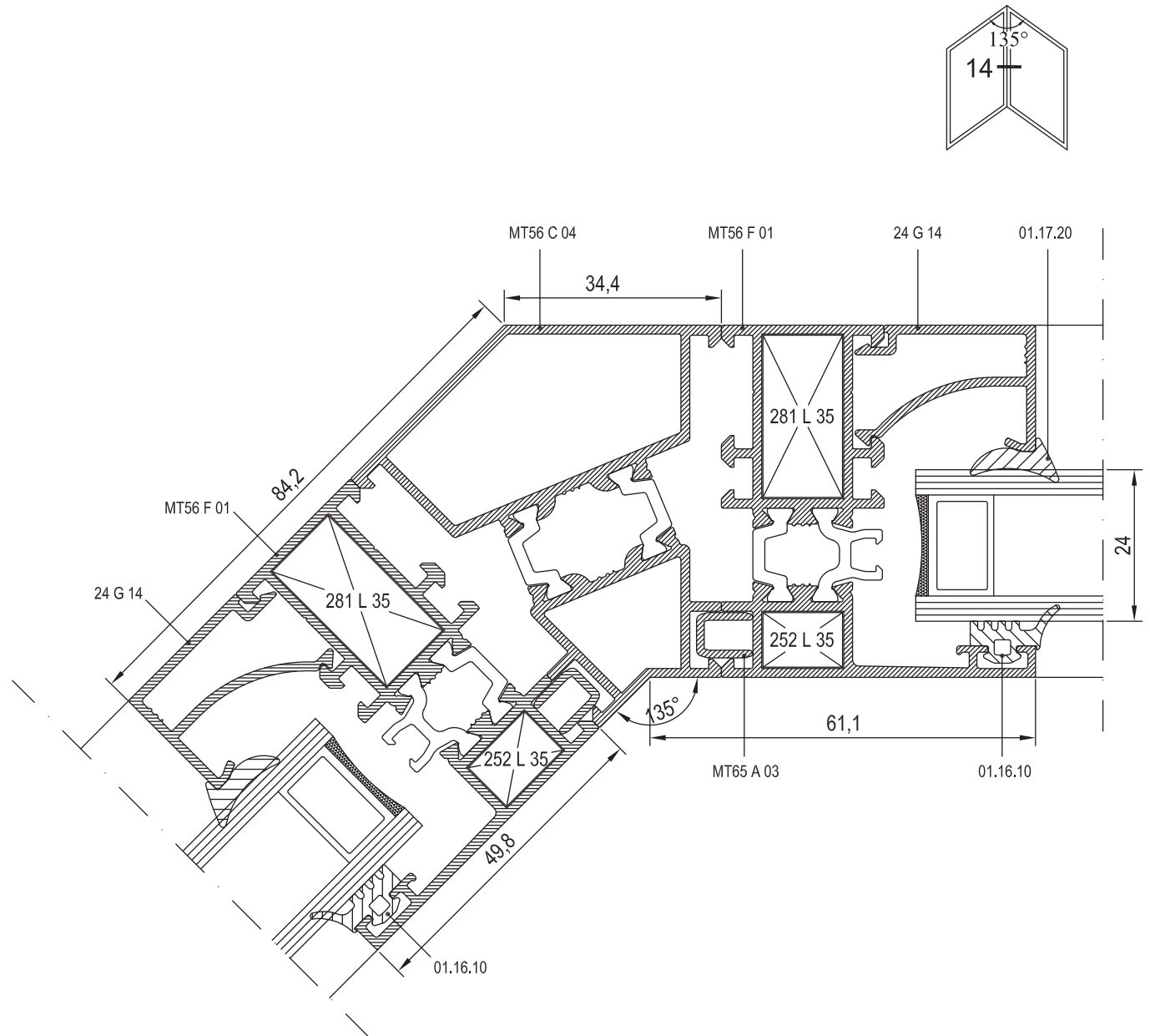
17

18

19

20





11

12

13

14

15

16

17

18

19

20



11

12

13

14

15

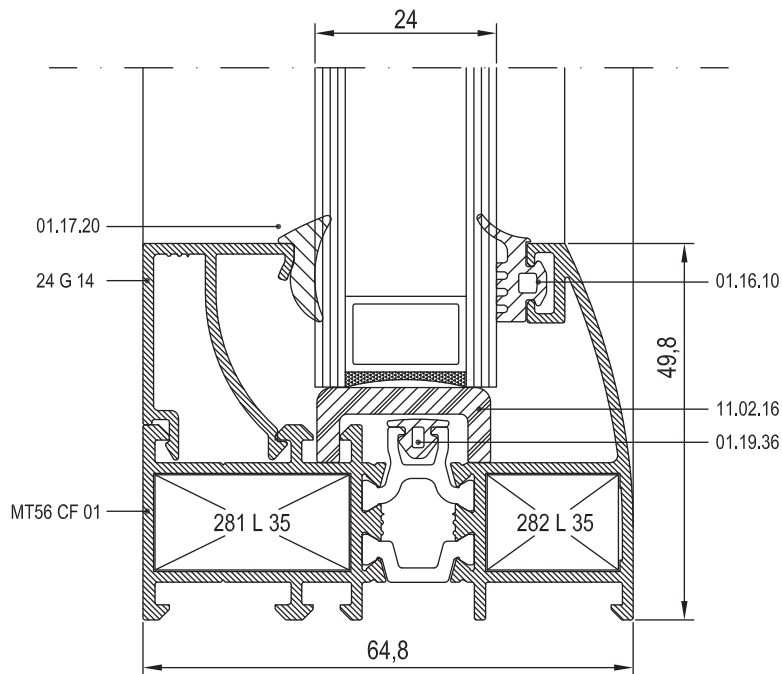
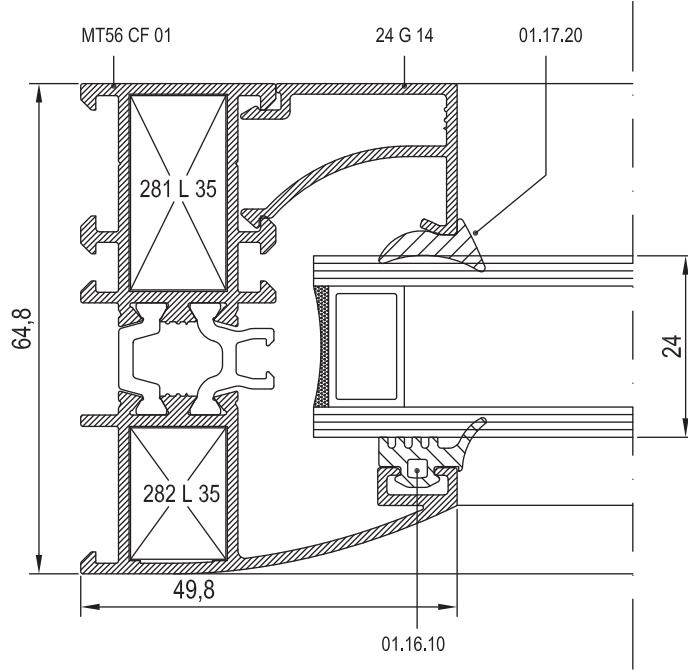
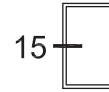
16

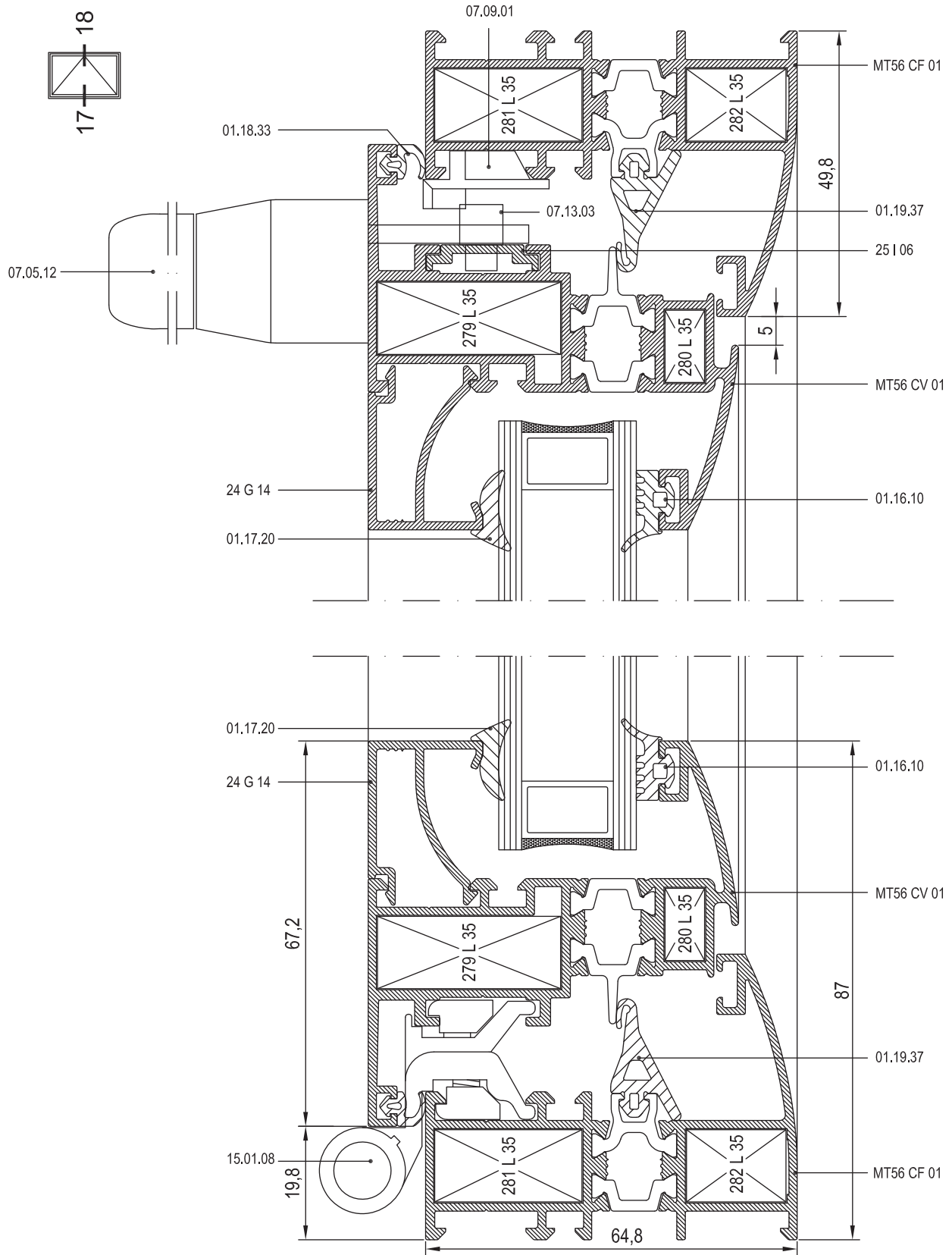
17

18

19

20





11

12

13

14

15

16

17

18

19

20



11

12

13

14

15

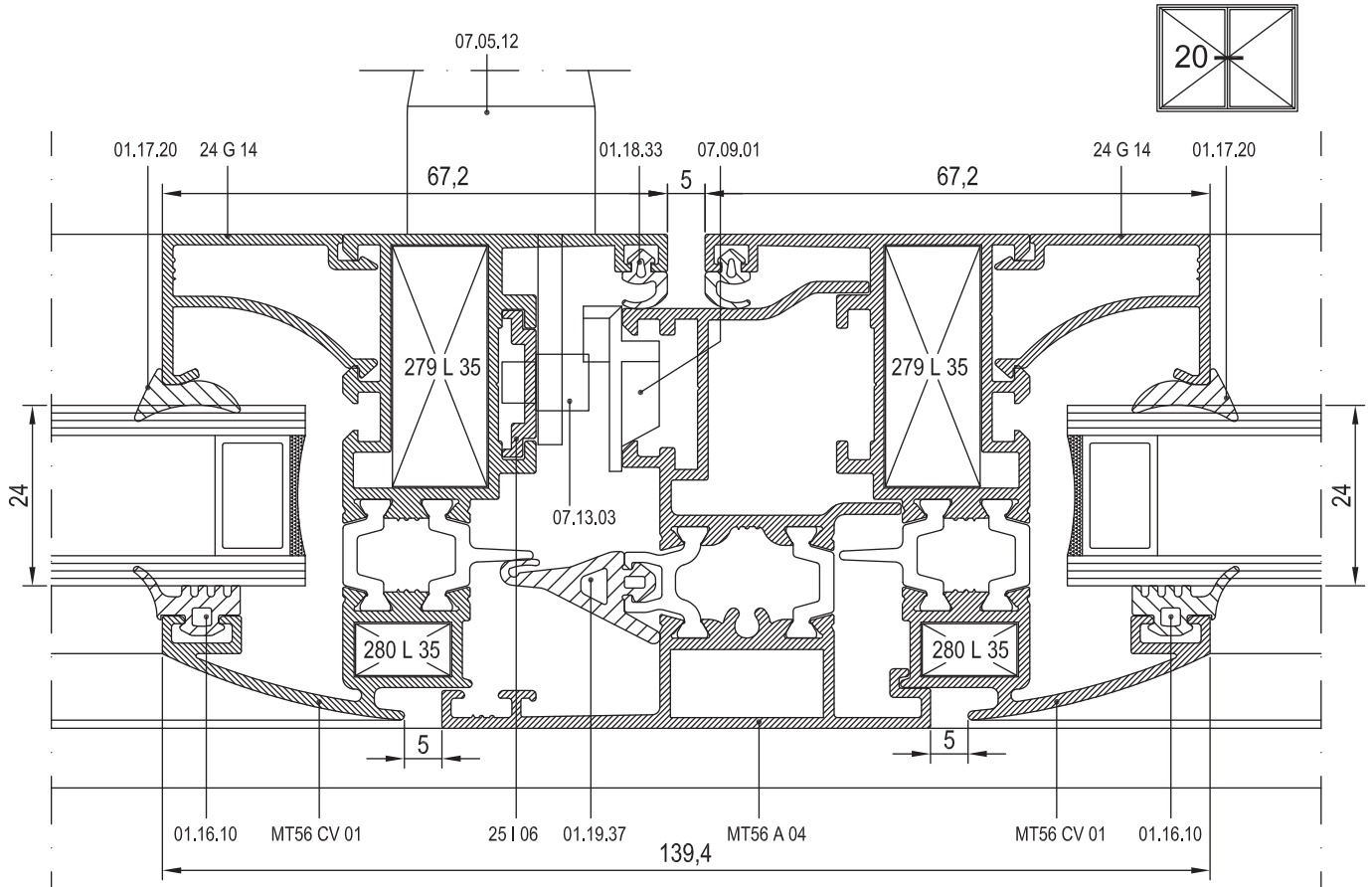
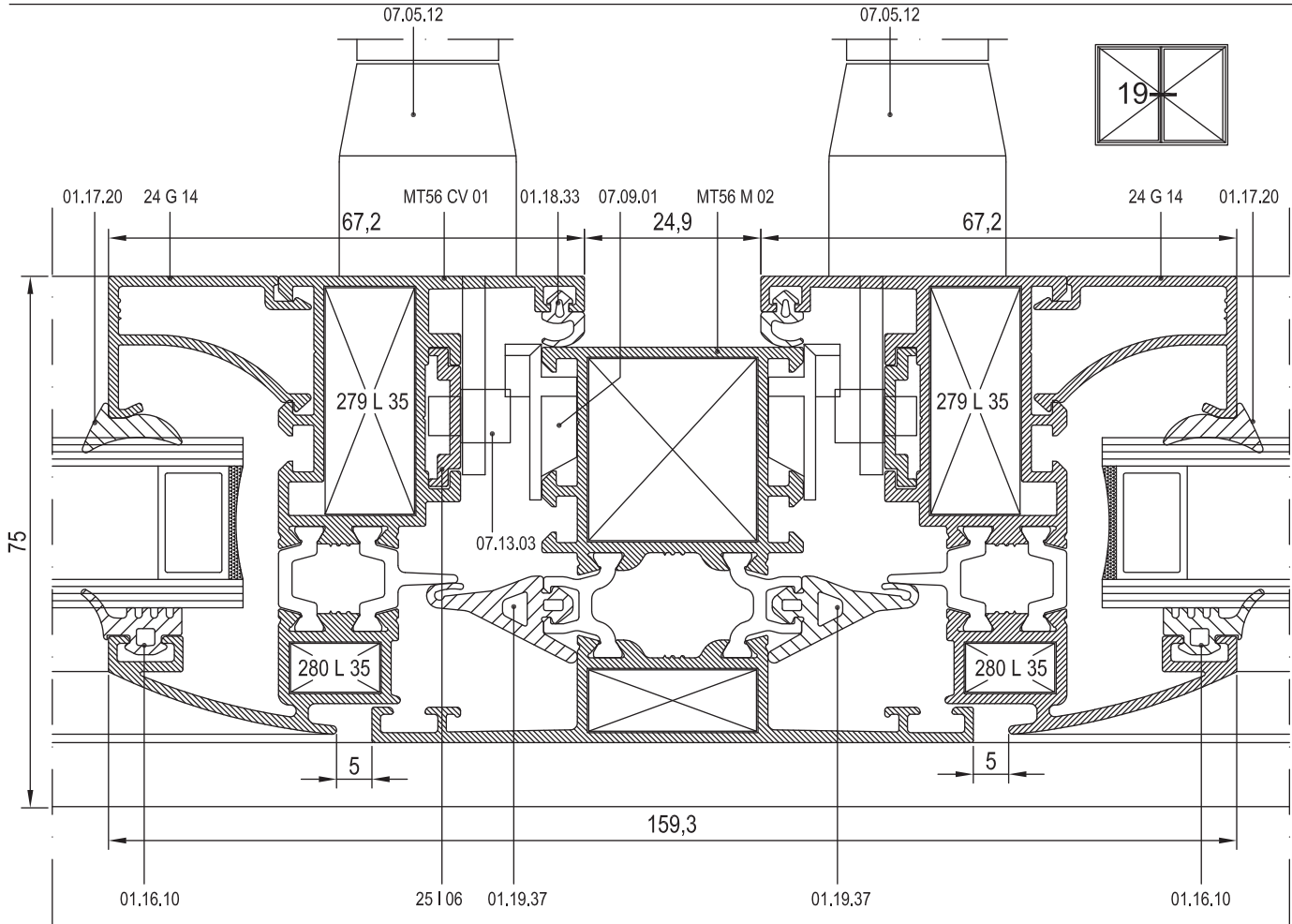
16

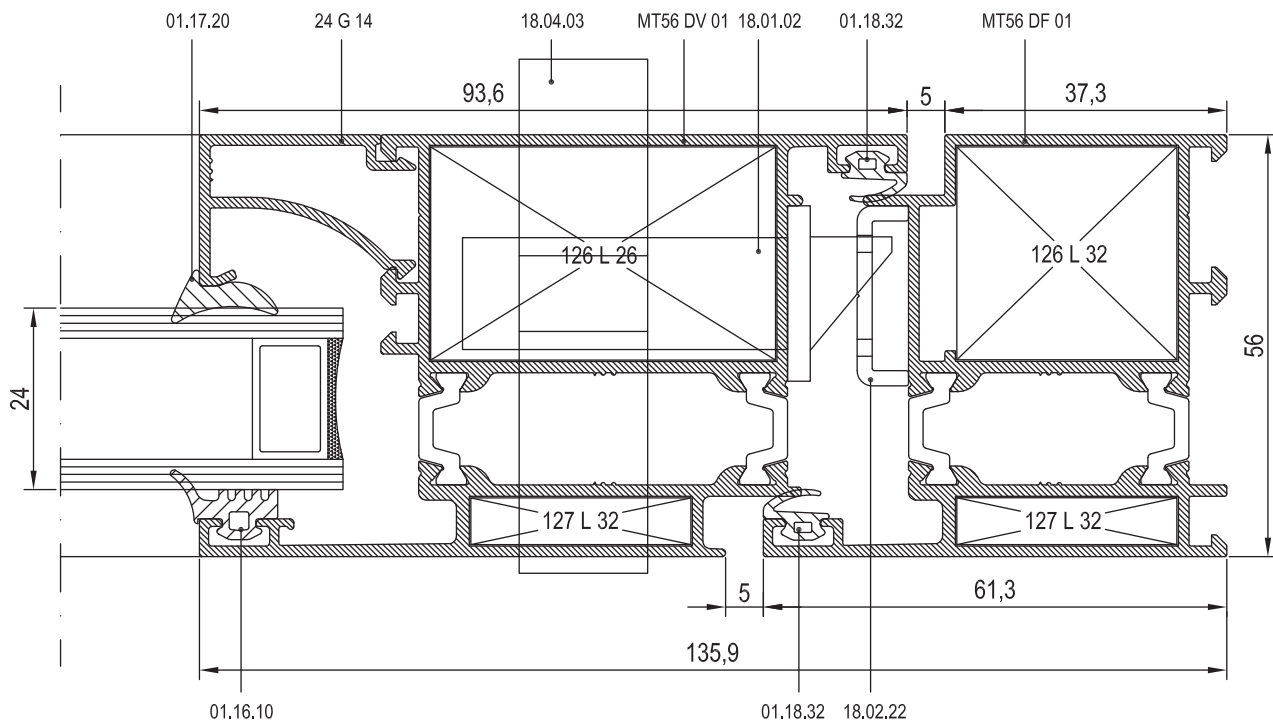
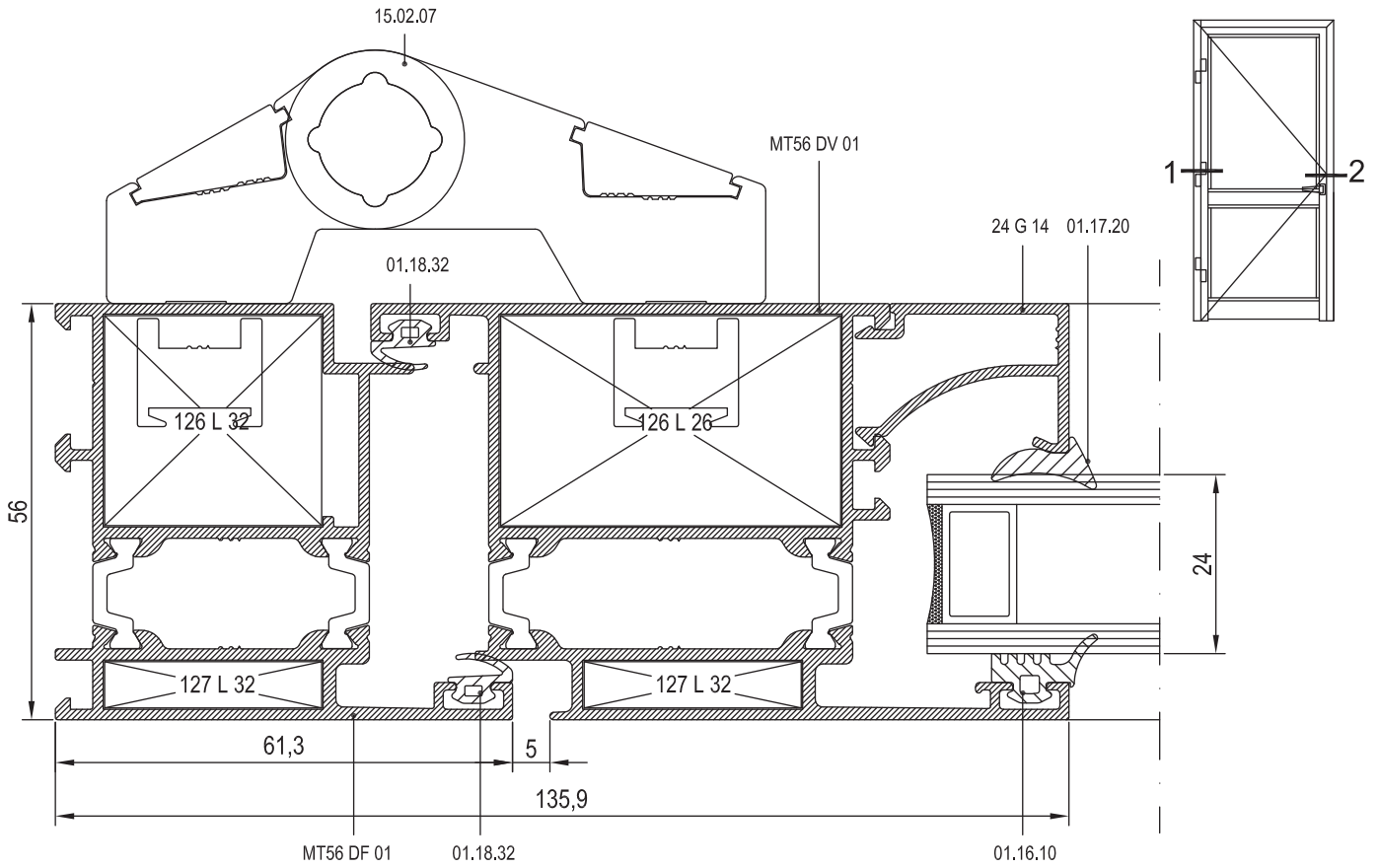
17

18

19

20





11

12

13

14

15

16

17

18

19

20



11

12

13

14

15

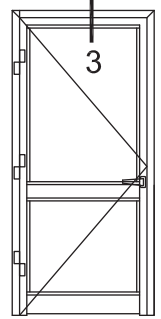
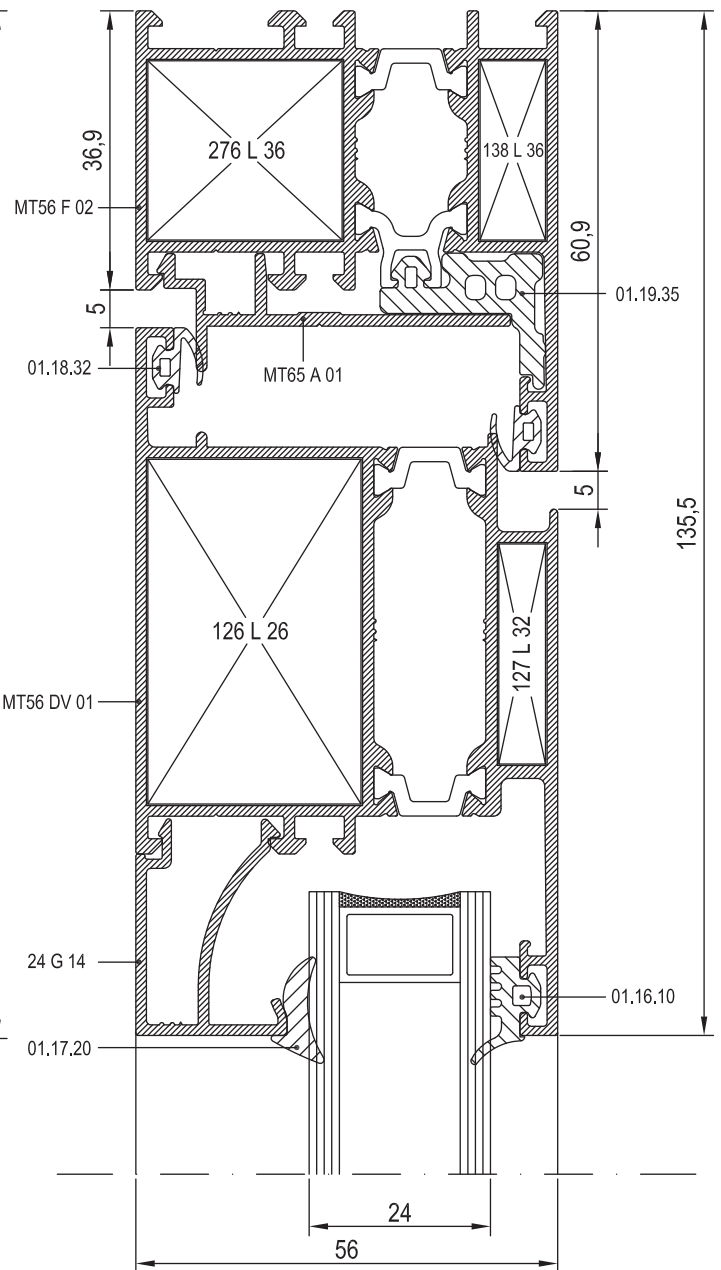
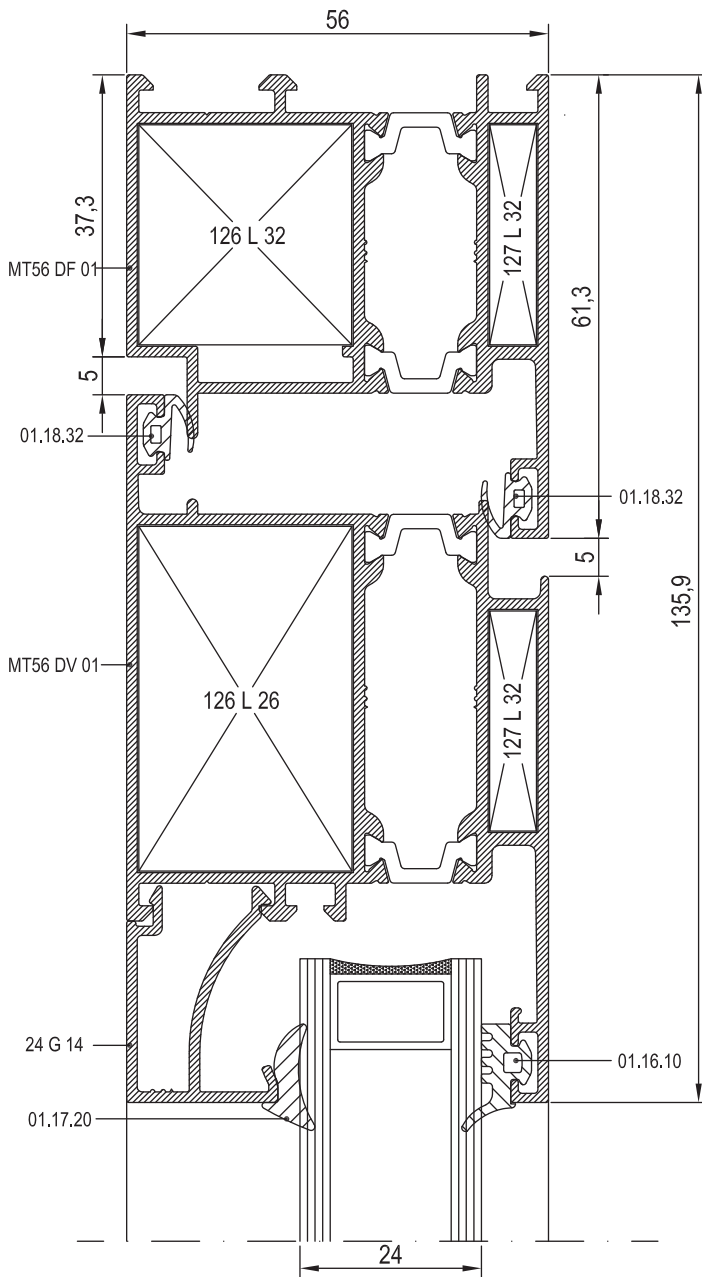
16

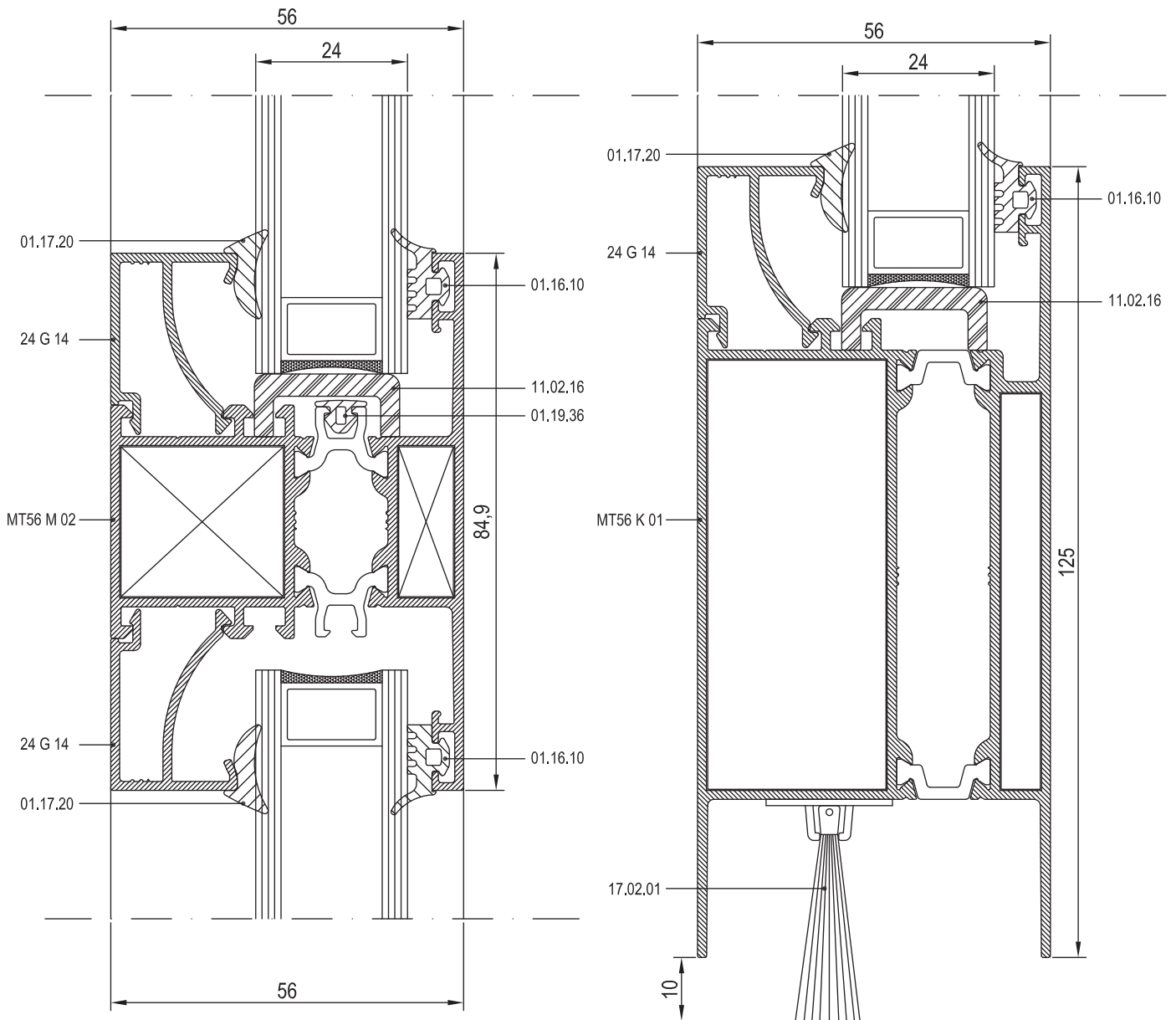
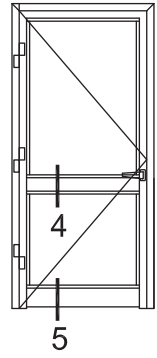
17

18

19

20

ALTERNATİF-1
ALTERNATIVE-1ALTERNATİF-2
ALTERNATIVE-2



11

12

13

14

15

16

17

18

19

20



11

12

13

14

15

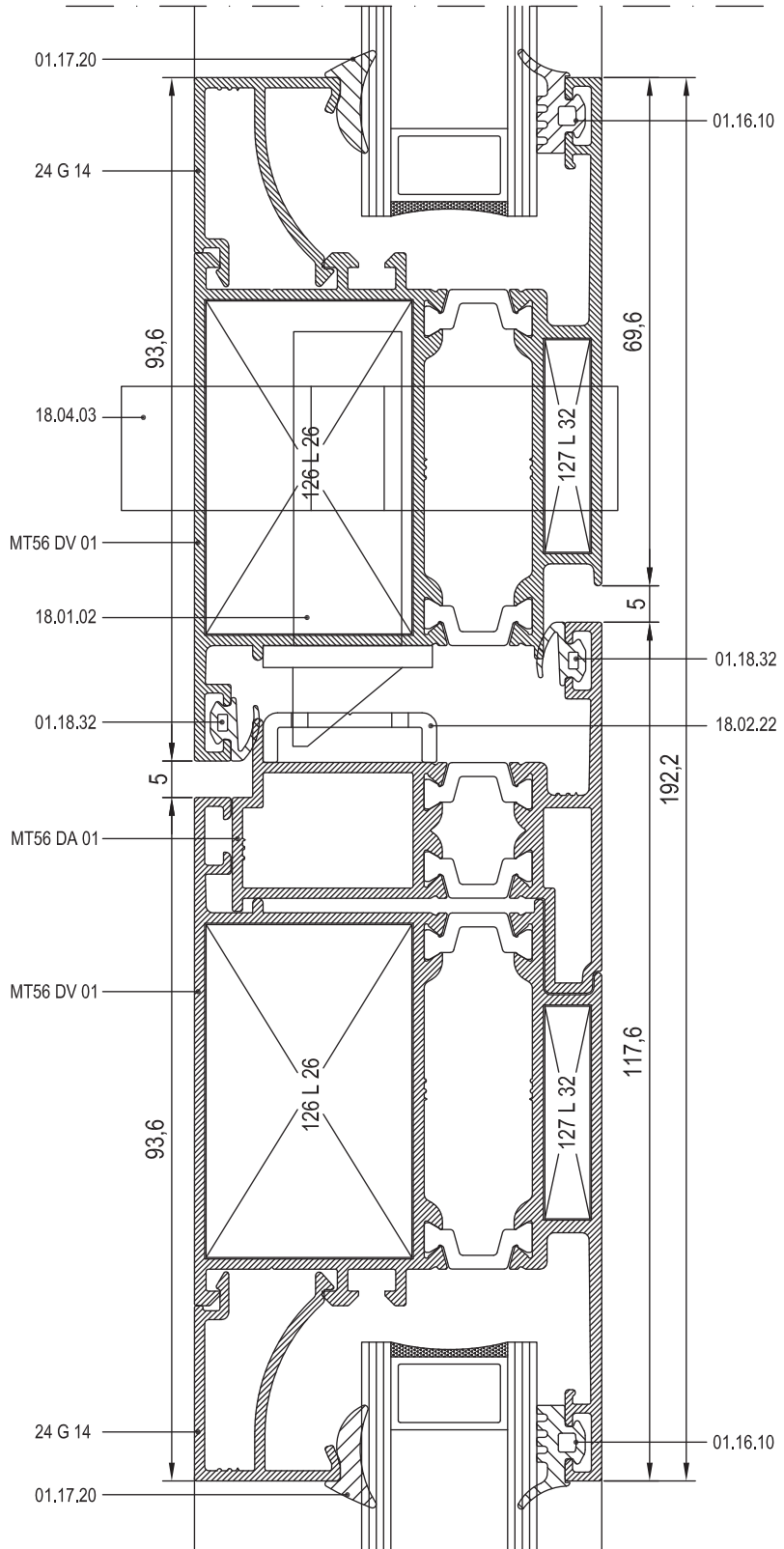
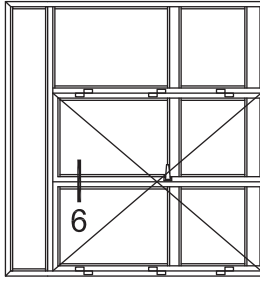
16

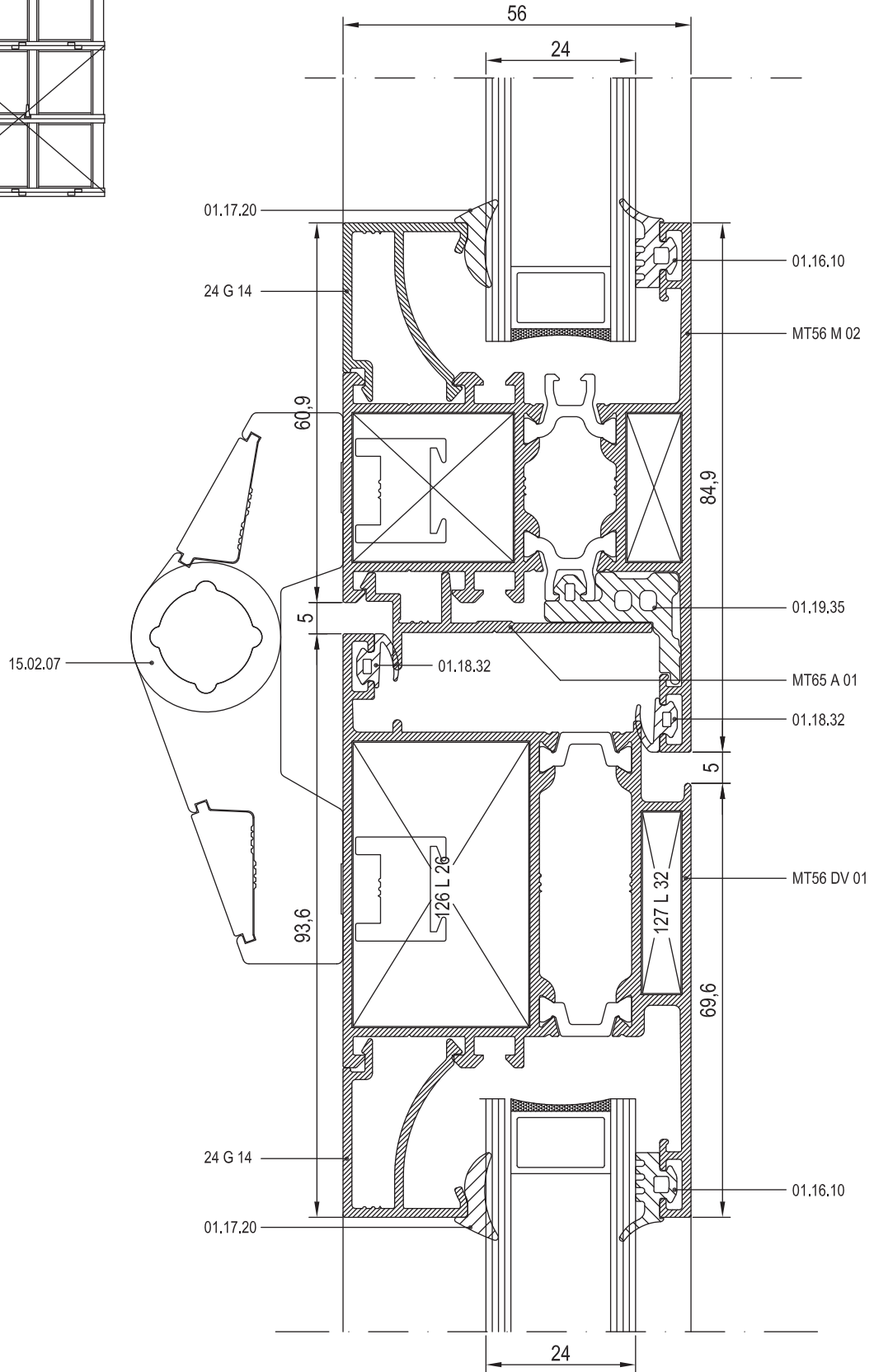
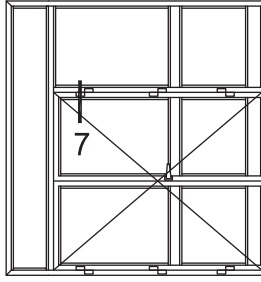
17

18

19

20





11

12

13

14

15

16

17

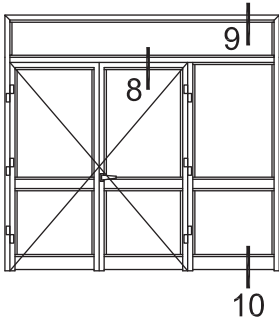
18

19

20

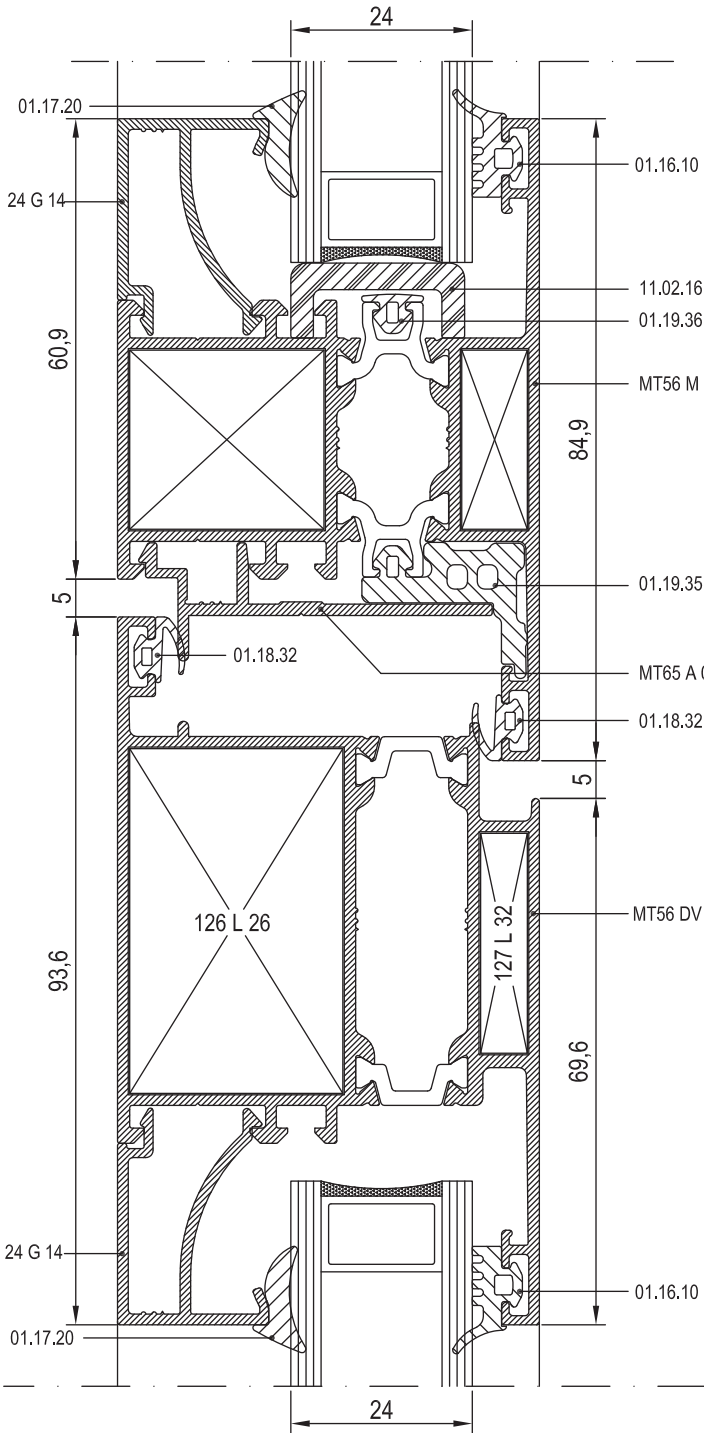


11



12

13



14

15

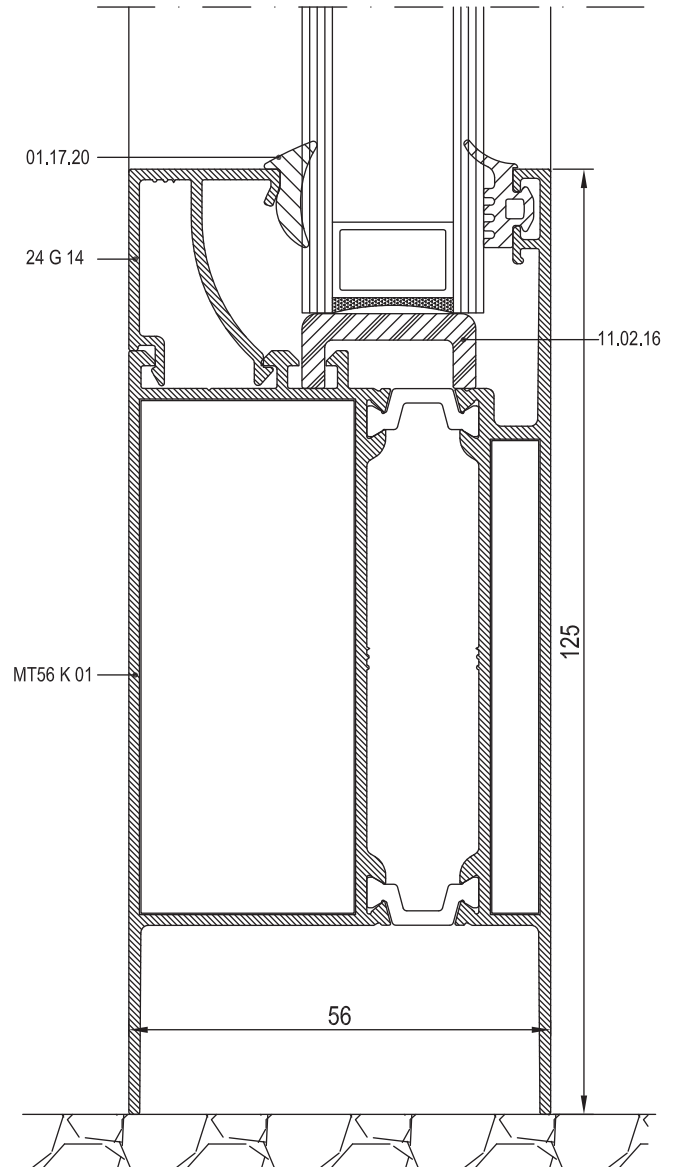
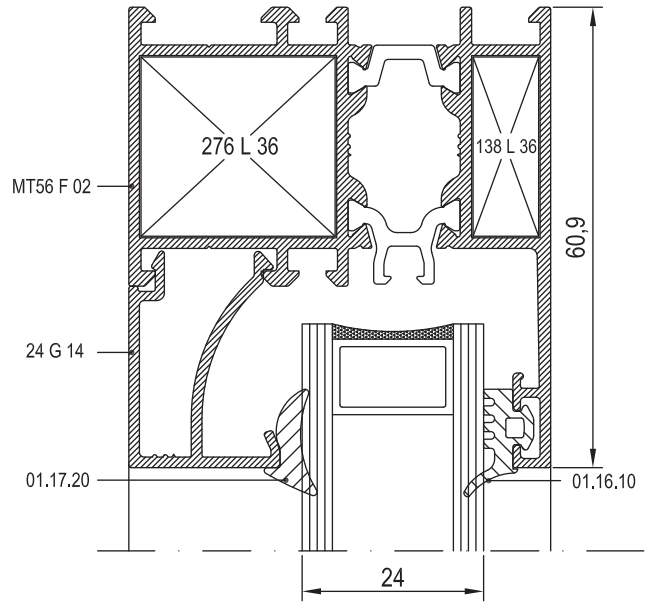
16

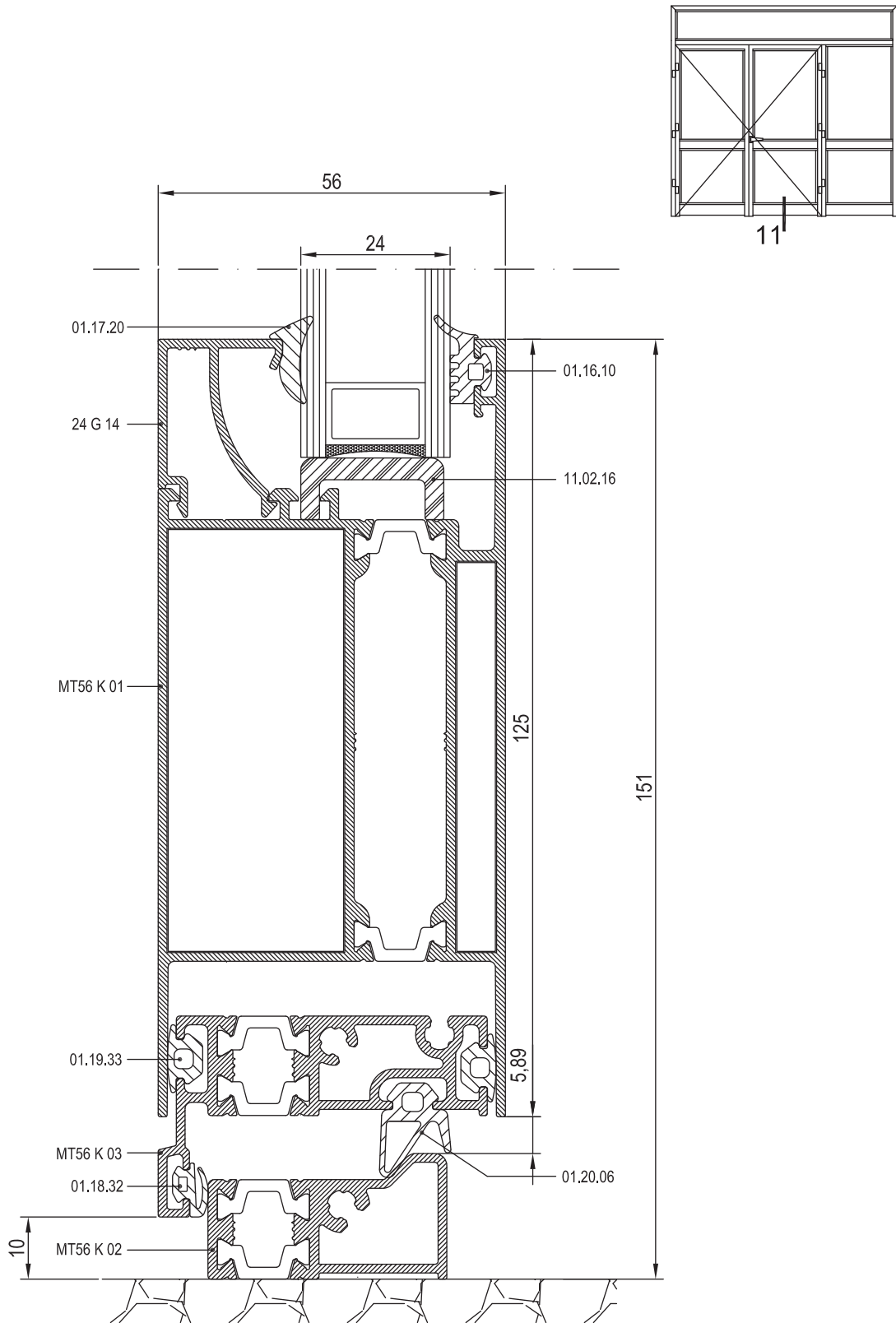
17

18

19

20





11

12

13

14

15

16

17

18

19

20



11

12

13

14

15

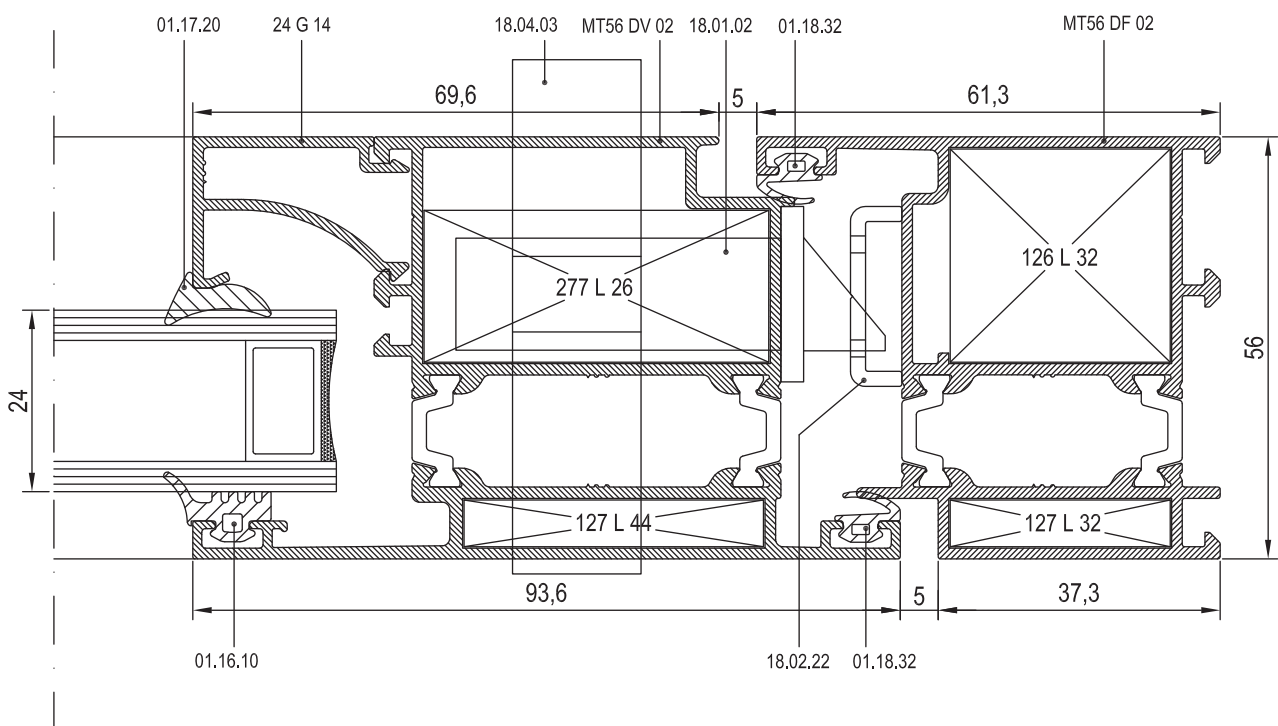
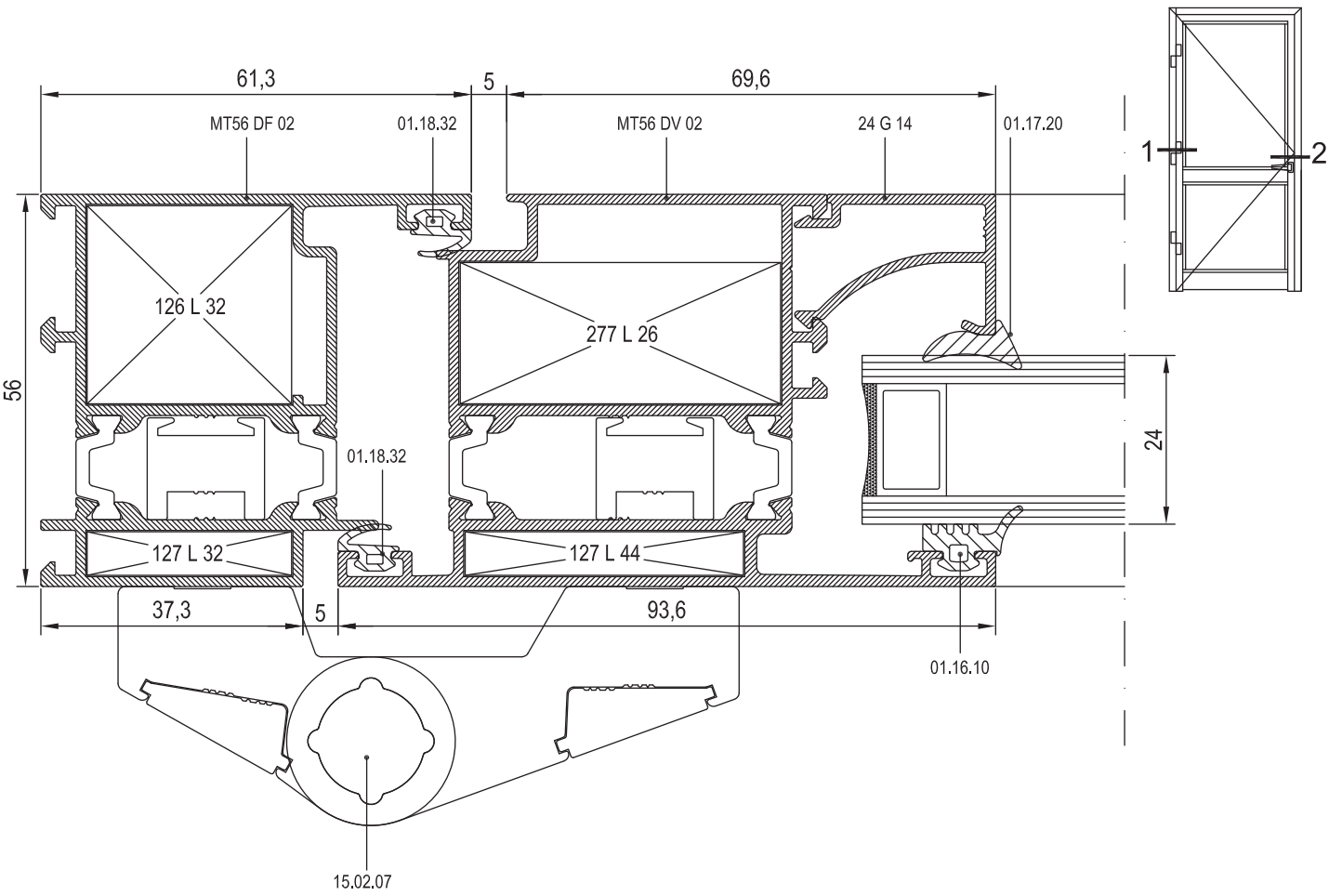
16

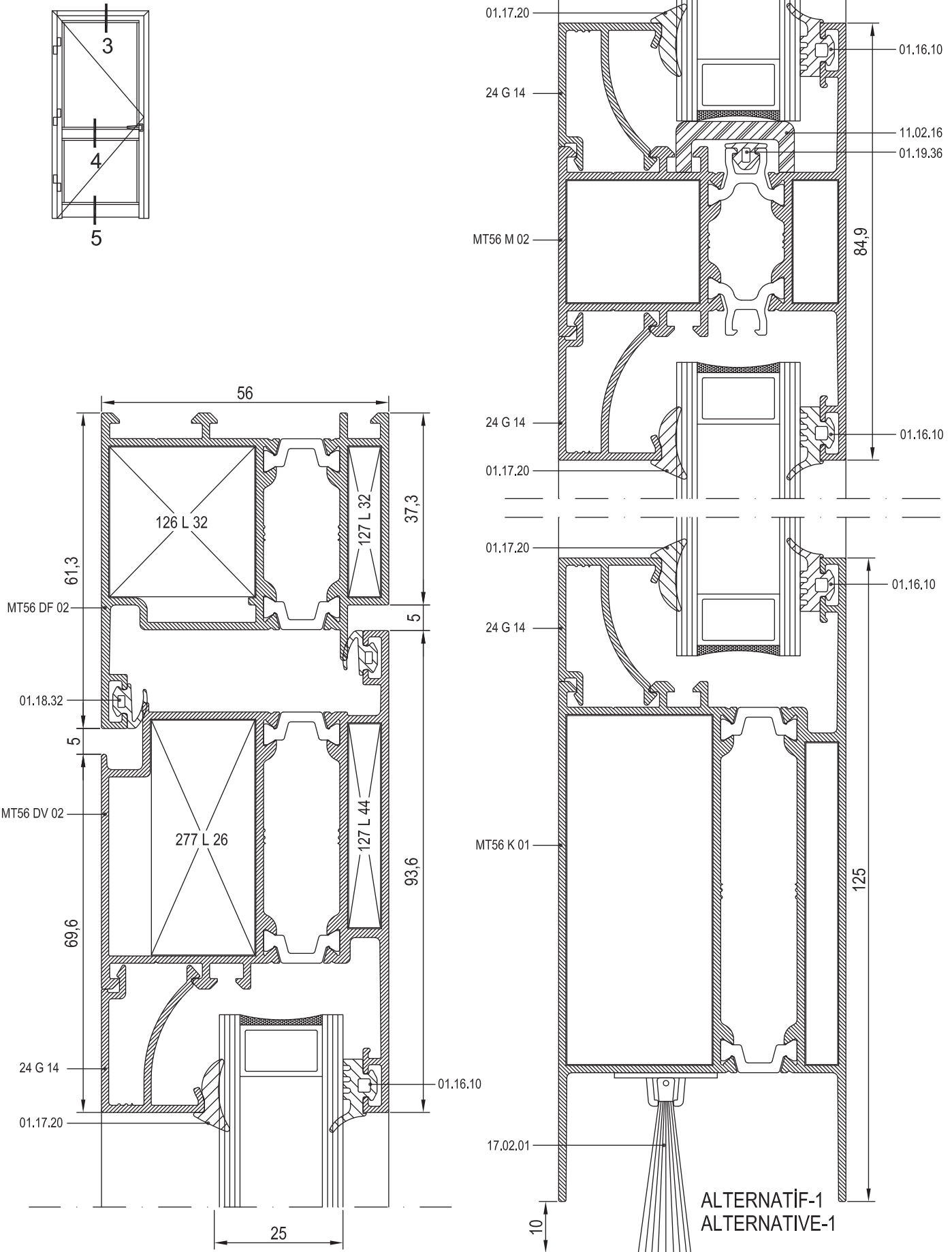
17

18

19

20





11

12

13

14

15

16

17

18

19

20

11

12

13

14

15

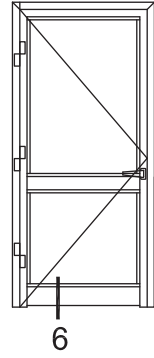
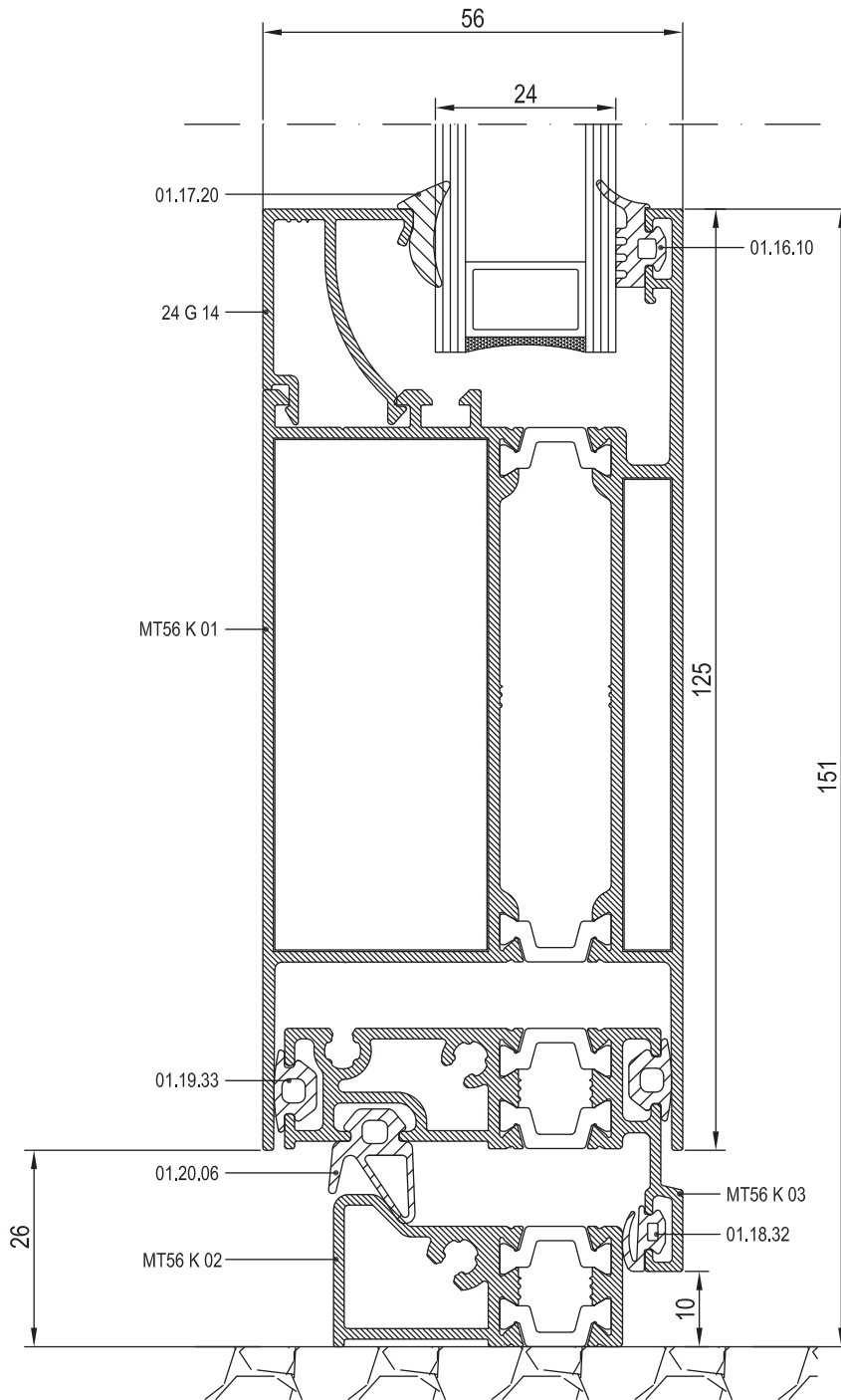
16

17

18

19

20

ALTERNATİF-2
ALTERNATIVE-2



	01.16.10 DIŞ CAM FİTİLİ GLAZING GASKET (OUTSIDE) EPDM 62 gr/m			01.18.33 İÇ BİNİ FİTİLİ ACOUSTICAL GASKET EPDM 28 gr/m	
	01.17.05 İÇ CAM FİTİLİ GLAZING GASKET (INSIDE) EPDM 60 gr/m			01.19.33 ADAPTÖR FİTİLİ ADAPTER GASKET EPDM 38 gr/m	
	01.17.14 İÇ CAM FİTİLİ GLAZING GASKET (INSIDE) EPDM 86 gr/m			01.19.35 ADAPTÖR FİTİLİ ADAPTER GASKET EPDM 185 gr/m	
	01.17.15 İÇ CAM FİTİLİ GLAZING GASKET (INSIDE) EPDM 107 gr/m			01.19.36 ADAPTÖR FİTİLİ ADAPTER GASKET EPDM 24 gr/m	
	01.17.20 İÇ CAM FİTİLİ GLAZING GASKET (INSIDE) EPDM 57 gr/m			01.19.37 TOZLUK FİTİLİ CENTRAL GASKET EPDM 117 gr/m	
	01.17.21 İÇ CAM FİTİLİ GLAZING GASKET (INSIDE) EPDM 166 gr/m			01.19.43 TOZLUK FİTİLİ CENTRAL GASKET EPDM 171 gr/m	
	01.18.32 BİNİ FİTİLİ ACOUSTICAL GASKET EPDM 33 gr/m			01.20.06 EŞİK FİTİLİ THRESHOLD GASKET EPDM 85 gr/m	

11

12

13

14

15

16

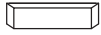
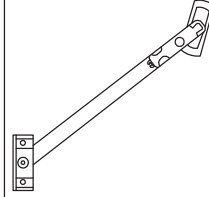
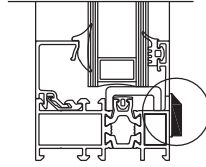
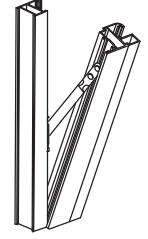
17

18

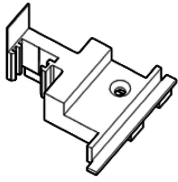
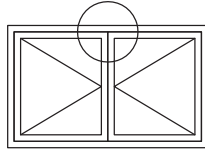
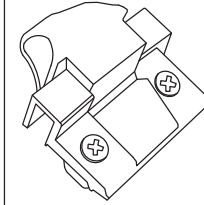
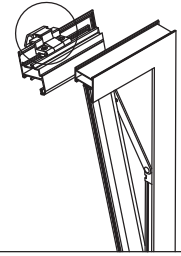
19

20

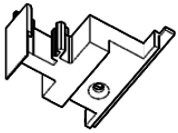
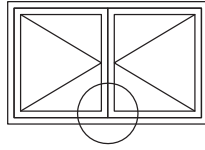
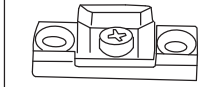
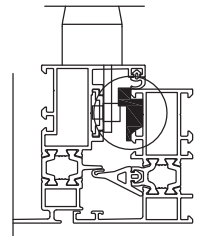
11

**04.02.02**TAHLİYE KAPAĞI
DRAINAGE COVER**07.07.02**VASİSTAS MAKAS
VASİSTAS ACCESSORY
SİYAH-BEYAZ-GRİ
BLACK-WHITE-GREY

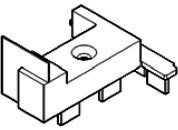
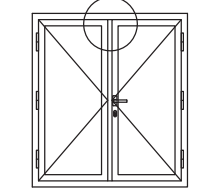
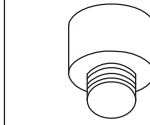
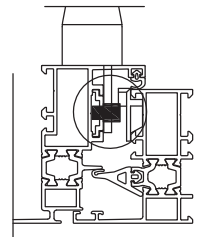
12

**04.06.42**ADAPTÖR KAPAĞI (ÜST)
ADAPTER CAP (UP)
SİYAH
BLACKUYGULANILAN PROFİL: MT56 A 04
USE WITH: MT56 A 04**07.08.01**VASİSTAS MANDALI
VASİSTAS SPRING
SİYAH-BEYAZ
BLACK-WHITE

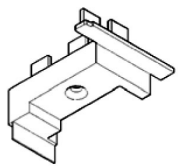
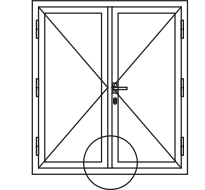
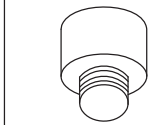
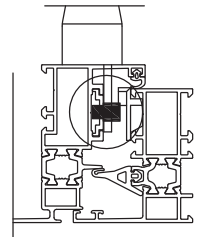
13

**04.06.43**ADAPTÖR KAPAĞI (ALT)
ADAPTER CAP (DOWN)
SİYAH
BLACKUYGULANILAN PROFİL: MT56 A 04
USE WITH: MT56 A 04**07.09.01**AYARLI PİM KARŞILIĞI
LOCK PLATE

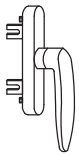
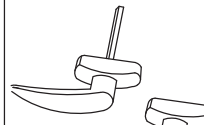
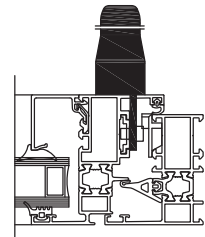
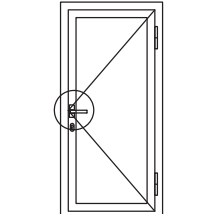
14

**04.06.44**ADAPTÖR KAPAĞI (ÜST)
ADAPTER CAP (UP)
SİYAH
BLACKUYGULANILAN PROFİL: MT56 DA 01 ve DA 02
USE WITH: MT56 DA 01 ve DA 02**07.13.02**ORTA GÖBEK PİMİ
CENTRAL LOCK PIN

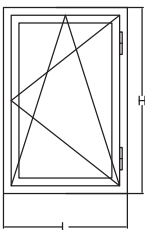
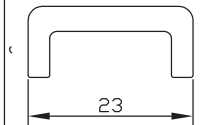
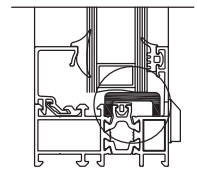
15

**04.06.45**ADAPTÖR KAPAĞI (ALT)
ADAPTER CAP (DOWN)
SİYAH
BLACKUYGULANILAN PROFİL: MT56 DA 01 ve DA 02
USE WITH: MT56 DA 01 ve DA 02**07.13.03**TİJ PİM
LOCK PIN

17

**07.05.12**İSPANYOLET KOL ÇİFT DİLLİ
WINDOW HANDLE
SİYAH-BEYAZ-GRİ
BLACK-WHITE-GREY**07.14.04**KAPI KOLU (İTHAL)
DOOR HANDLE
SİYAH-BEYAZ-GRİ
BLACK-WHITE-GREY

18

**07.06.60.**ÇİFT AÇILIM MEKANİZMASI
TILT AND TURN MECANISM
SİYAH-GRİ
BLACK-GREYGENİŞLİK: 570~1000 mm
WIDTH: 570~1000 mm
YÜKSEKLİK: 400~1200 mm
HEIGHT: 400~1200 mm**11.02.16**CAM TAKOZU
GLASS WEDGE
SİYAH
BLACK

19

20



	<p>11.02.17 CAM TAKOZU GLASS WEDGE SİYAH BLACK</p>			<p>18.02.22 DİLLİ KİLİT KARŞILIĞI FOREND SİYAH-BEYAZ-ELOKSAL BLACK-WHITE-ANODISED</p>							
	<p>15.01.08 PENCERE MENTEŞESİ WINDOW HINGE SİYAH-BEYAZ-GRİ-ELOKSAL BLACK-WHITE-GREY-ANODISED</p>			<p>18.02.23 MAKARALI KİLİT KARŞILIĞI FOREND (for lock with roller) SİYAH-BEYAZ-ELOKSAL BLACK-WHITE-ANODISED</p>							
	<p>15.02.07 KAPAZLAMA MENTEŞE (2'Lİ) DOOR HINGE SİYAH-BEYAZ-GRİ BLACK-WHITE-GREY</p>			<p>18.03.01 KAPI ALT-ÜST KİLİTLEME BOLT LOCK</p>							
	<p>15.02.09 KAPI MENTEŞESİ DOOR HINGE SİYAH-BEYAZ-GRİ-ELOKSAL BLACK-WHITE-GREY-ANODISED</p>		<table border="1" data-bbox="873 1265 1003 1311"> <thead> <tr> <th>A</th> <th>B</th> <th>L</th> </tr> </thead> <tbody> <tr> <td>26</td> <td>32</td> <td>68</td> </tr> </tbody> </table>	A	B	L	26	32	68	<p>18.04.03 BAREL CYLINDER KROM-NİKEL CHROME-NICKEL</p>	
A	B	L									
26	32	68									
	<p>17.02.01 KAPI ALTI FIRÇASI BRUSH 1 Mt</p>			<p>18.05.02 BAREL AYNASI CYLINDER COVER SİYAH-BEYAZ BLACK-WHITE</p>							
	<p>18.01.01 MAKARALI KİLİT MORTISE LOCK (with roller) STANDART STANDARD</p>										
	<p>18.01.02 DİLLİ KİLİT MORTISE LOCK STANDART STANDARD</p>										

11

12

13

14

15

16

17

18

19

20

RESCARA SİSTEM

RESCARA SYSTEM

Aluminyum Kapı Pencere ve Giydirmeye Cephe Sistemleri
Aluminium Window Doors and Facade Systems

11



12

13

14

15

16

17

18

19

20